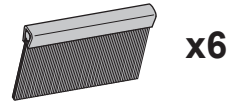
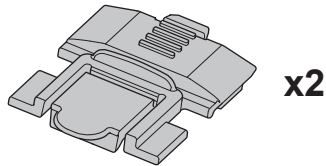


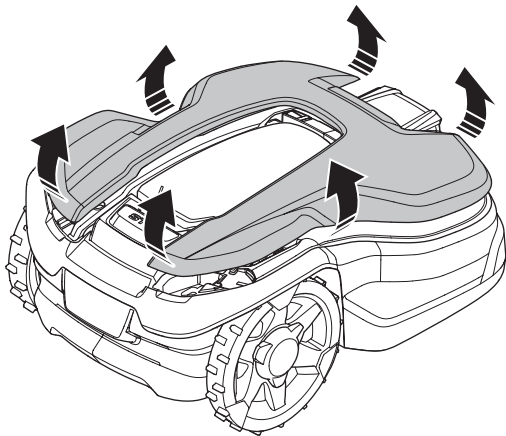
Aspire® R6V / 305 / 305E NERA / 308V / 310E NERA / 310 Mark II / 312V /
315 Mark II / 320 NERA / 405X / 405VE NERA / 405XE NERA / 410VE NERA /
410XE NERA / 415X / 430V NERA / 430X NERA / 450V NERA / 450X NERA

Wheel Brush Kit

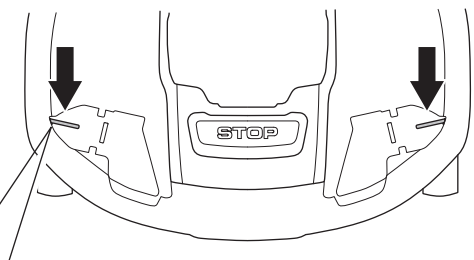
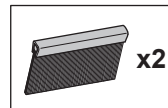


Aspire® R6V / 305 / 308V / 310 Mark II / 312V / 315 Mark II / 405X / 415X

1

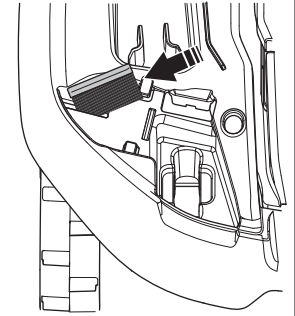
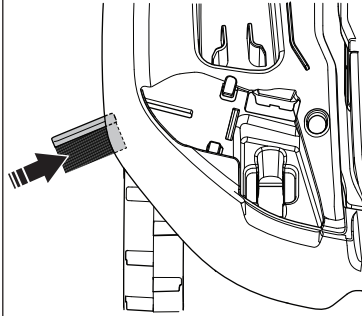


2

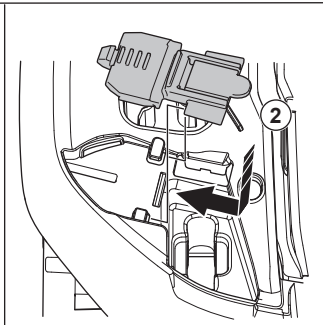
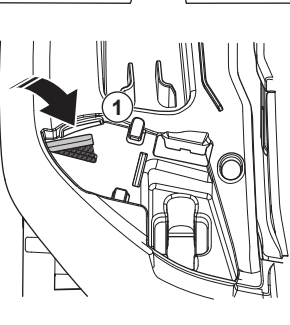
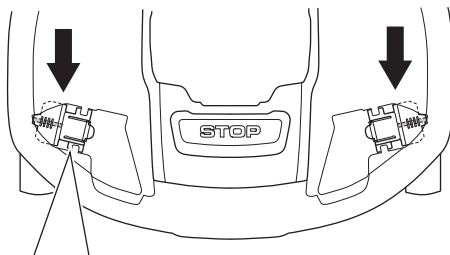


Aspire® R6V / 305 / 308V /
310 Mark II / 312V 315 Mark II

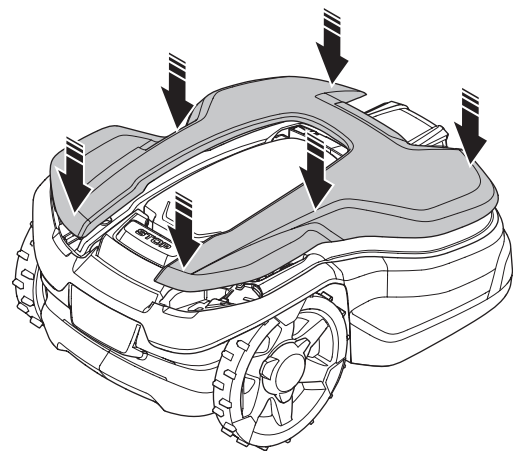
405X / 415X



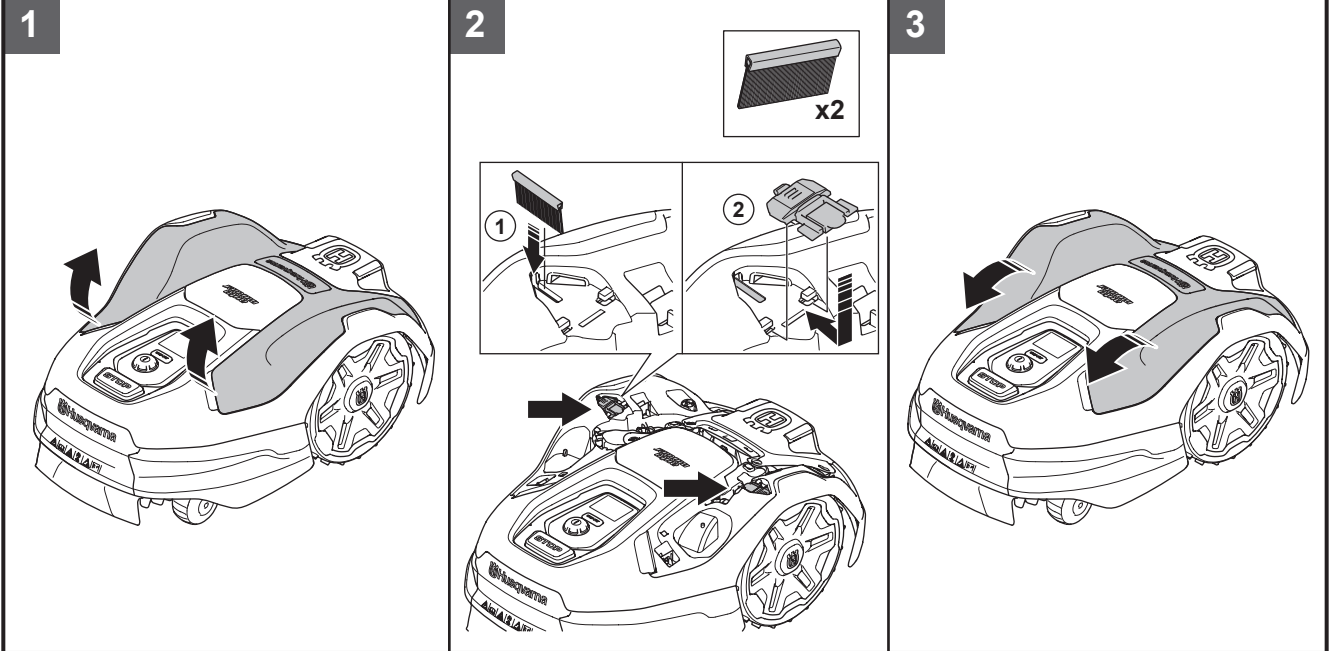
3



4



305E NERA / 310E NERA / 405VE NERA / 405XE NERA / 410VE NERA / 410XE NERA



320 NERA / 430V NERA / 430X NERA / 450V NERA / 450X NERA

