



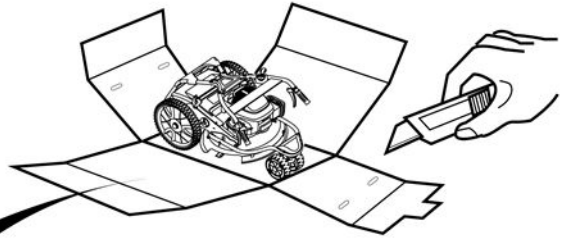
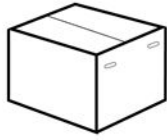
DB 551

| | |
|----|---|
| | User manual <i>(Translation of the original manual)</i> |
| EN | MOTOR MOWER  Read the instructions in the user manual. Become familiar with the operation and controls of the machine. |
| | Benutzerhandbuch <i>(Übersetzung der Originalbetriebsanleitung)</i> |
| DE | MOTORMÄHER  Die Anweisungen im Benutzerhandbuch durchlesen. Sich mit den Funktionen und Bedienelementen der Maschine vertraut machen. |
| | Manuel d'utilisation <i>(Notice originale)</i> |
| FR | MOTOFACHEUSE  Lire les instructions du manuel utilisateur. Se familiariser avec le fonctionnement et les commandes de la machine. |

| | |
|----|--|
| | Manual de uso <i>(Traducción del manual original)</i> |
| ES | MOTOSEGADORA  Leer las instrucciones del manual del usuario. Familiarizarse con el funcionamiento y los mandos de la máquina. |
| | Manuale di istruzioni <i>(Traduzione delle istruzioni originali)</i> |
| IT | MOTOFALCIATRICE  Leggere le istruzioni contenute nel manuale per l'utente. Informarsi sul funzionamento e sui comandi della macchina. |
| | Gebruikshandleiding <i>(Vertaling van de originele handleiding)</i> |
| NL | MOTORMAAIER  Lees de instructies van de gebruikershandleiding. Maak u vertrouwd met de werking en de bedieningselementen van de machine. |



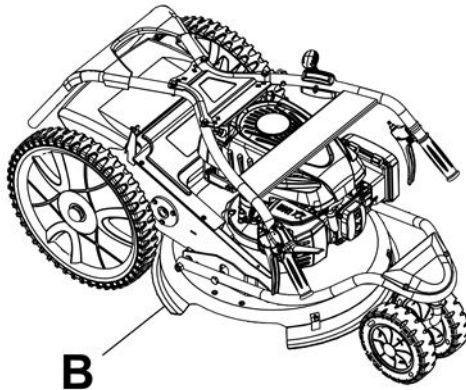
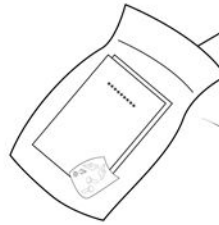
1.1



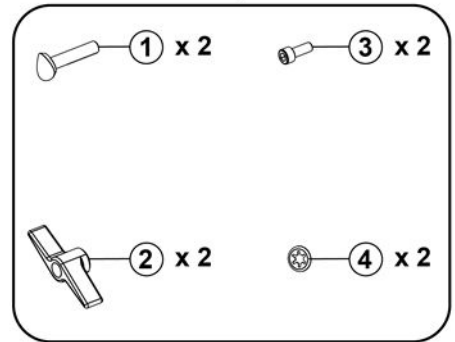
A



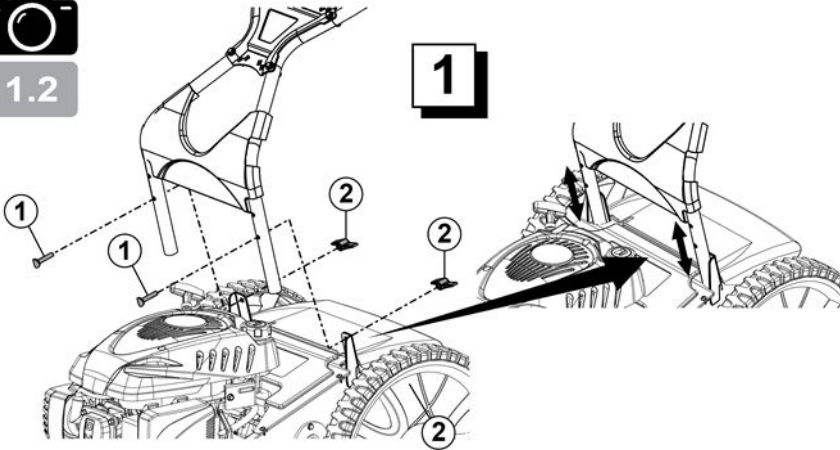
C



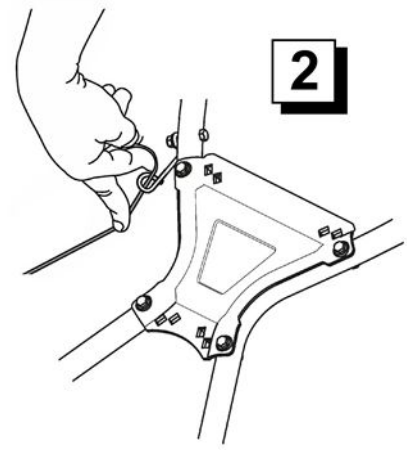
B



1.2



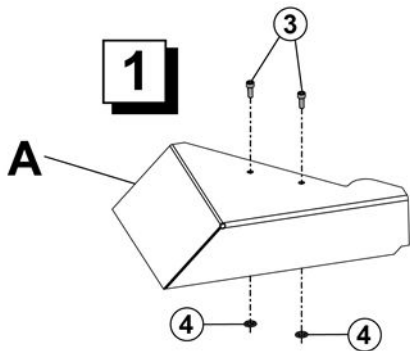
1



2

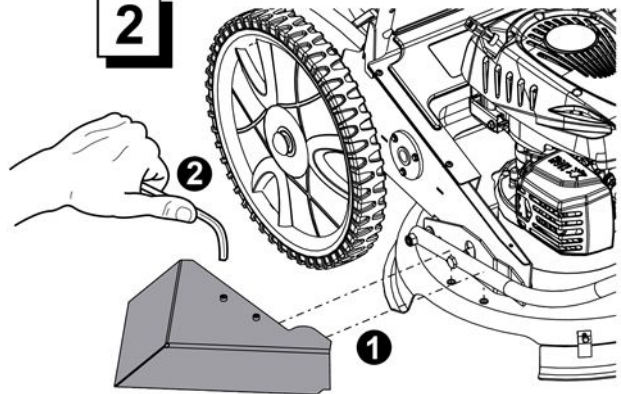


1.3



1

2

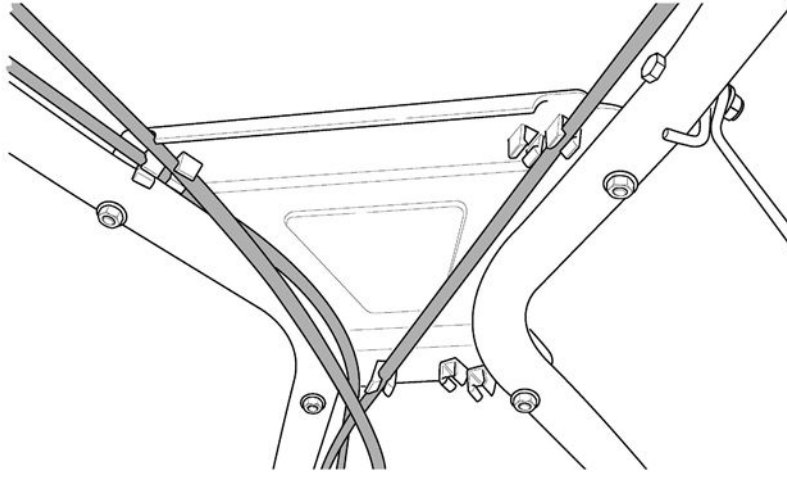


2

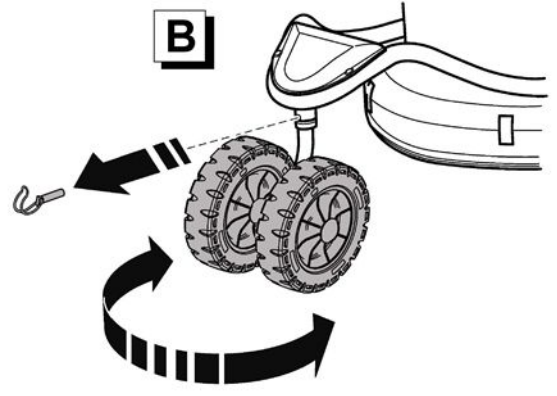
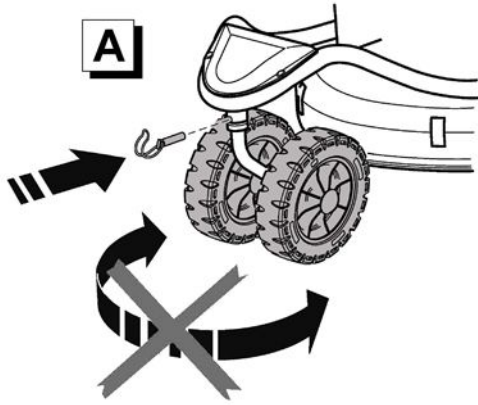
1



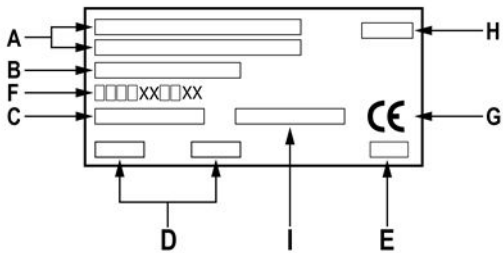
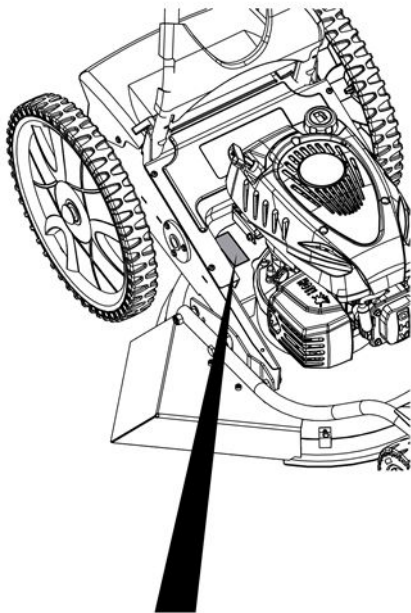
1.4



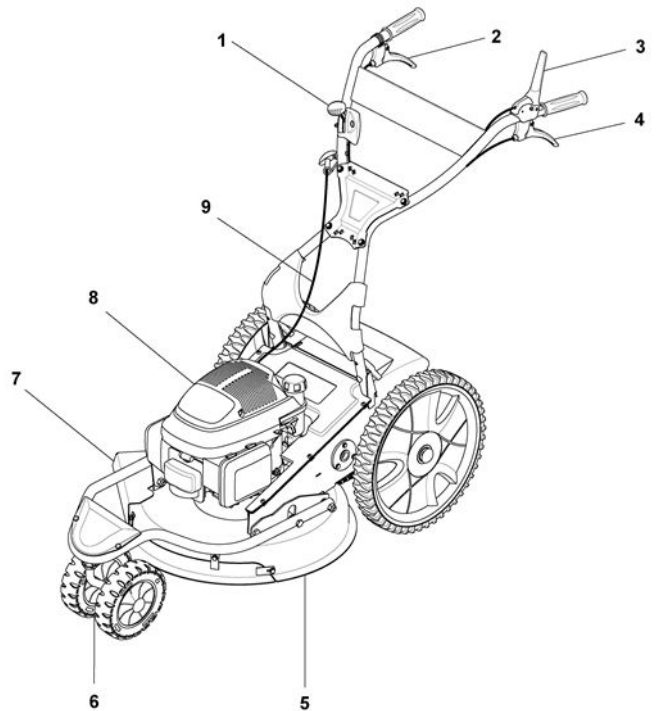
1.5



1.6

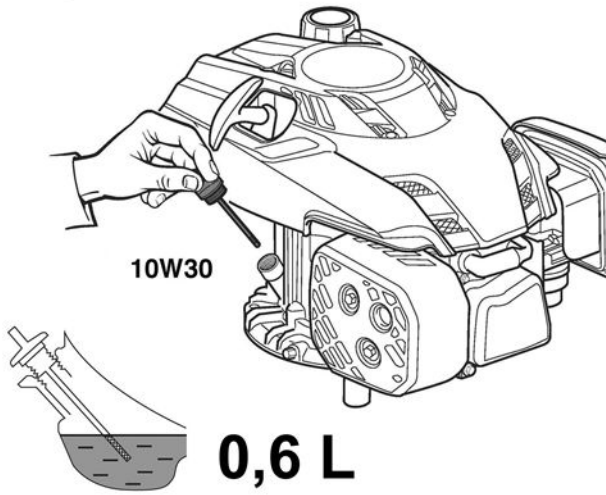


1.7

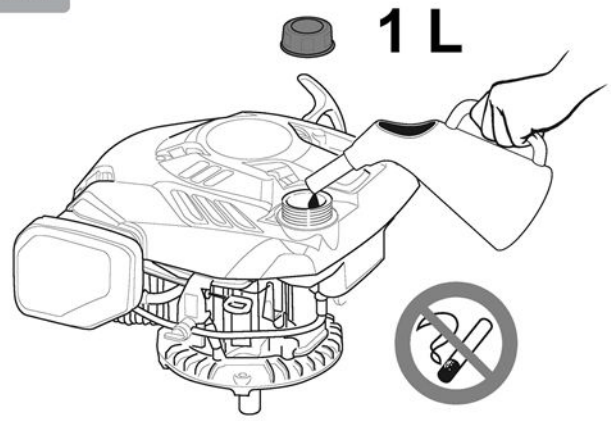




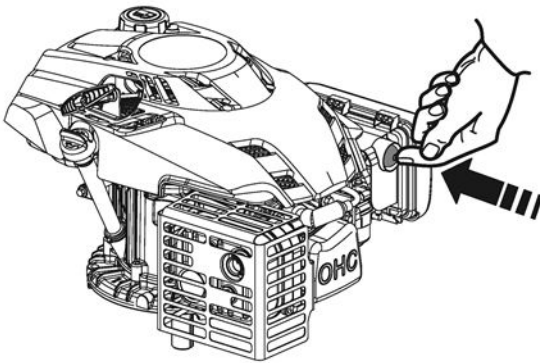
2.1



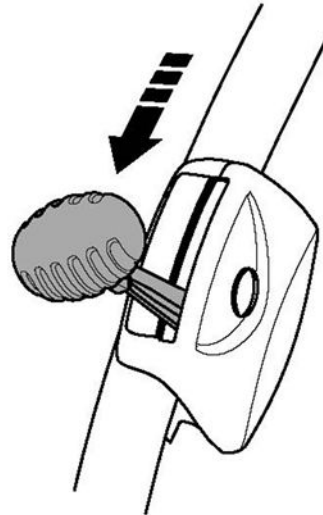
2.2



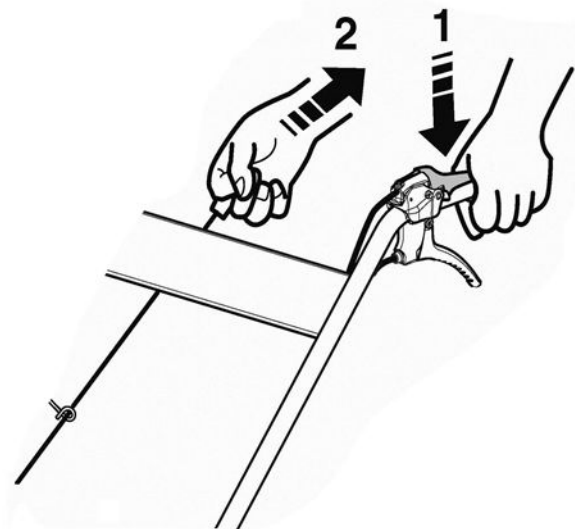
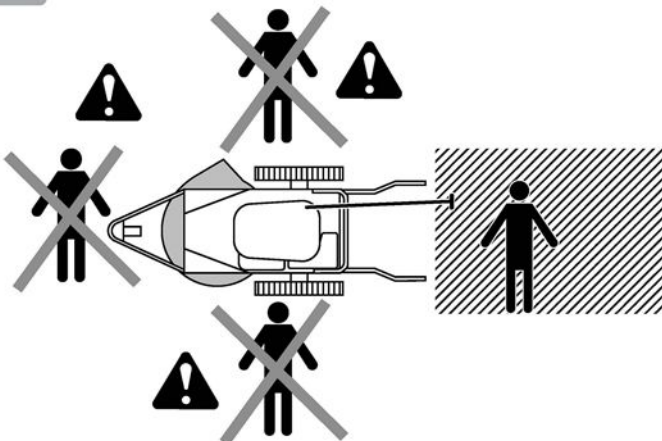
2.3



2.4

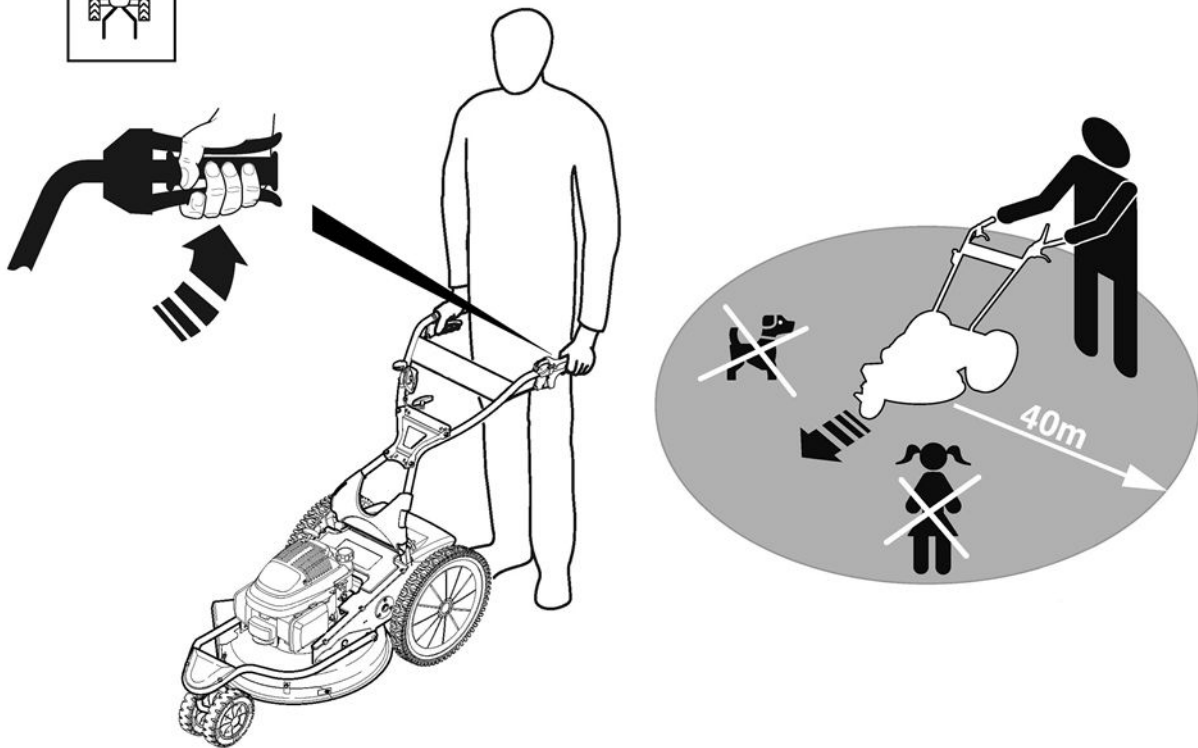
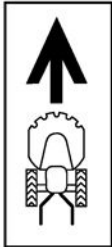


2.5

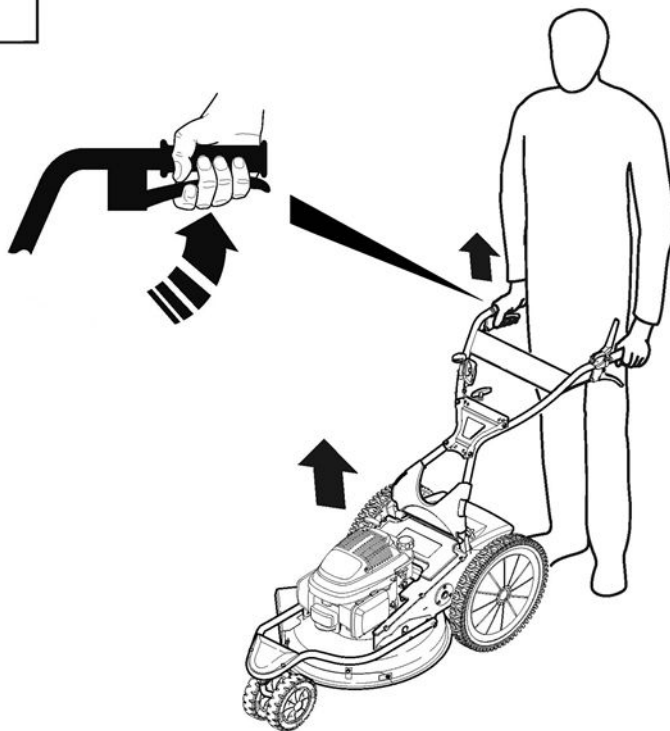


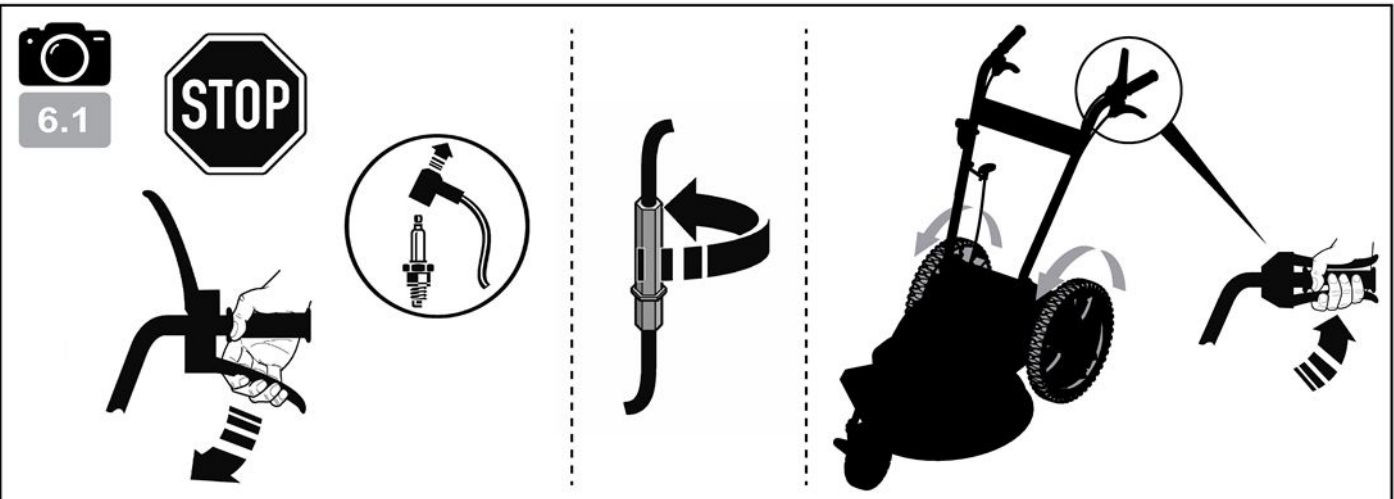
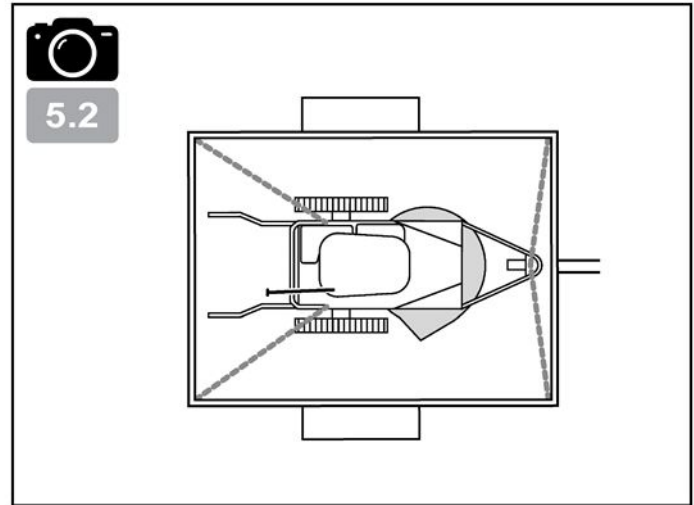
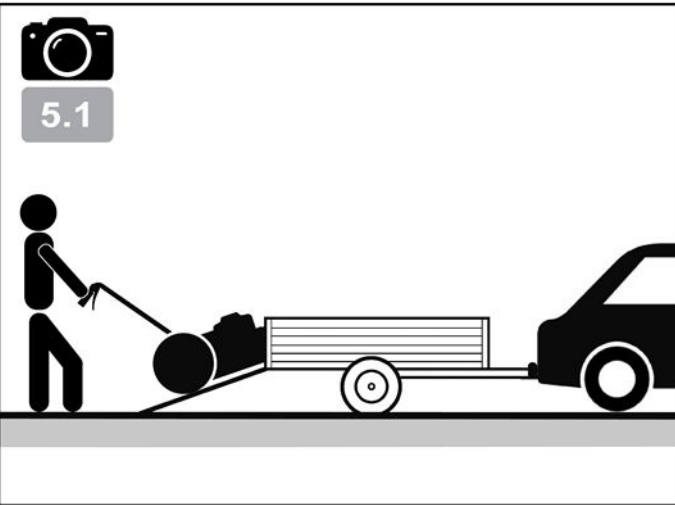
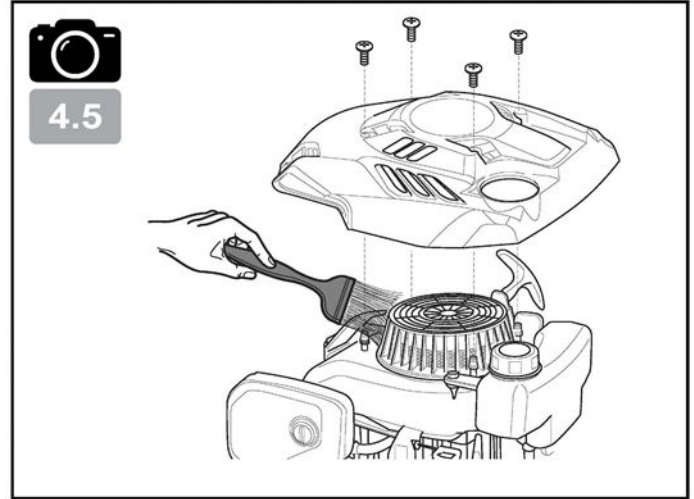
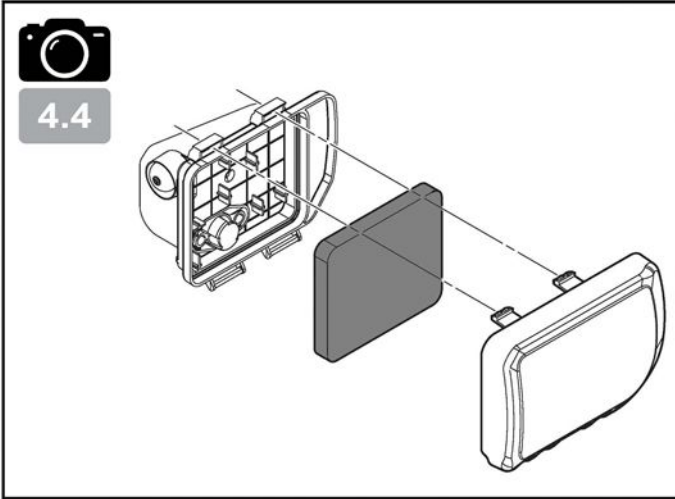
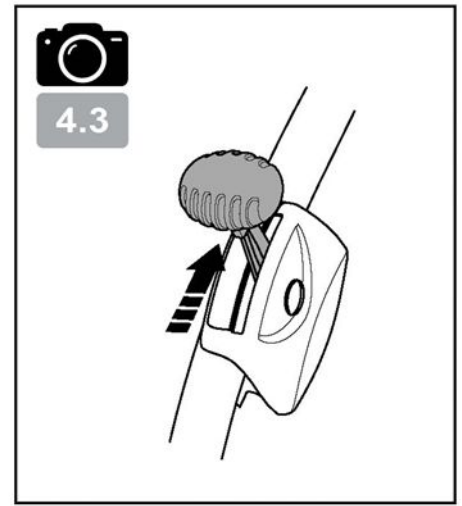
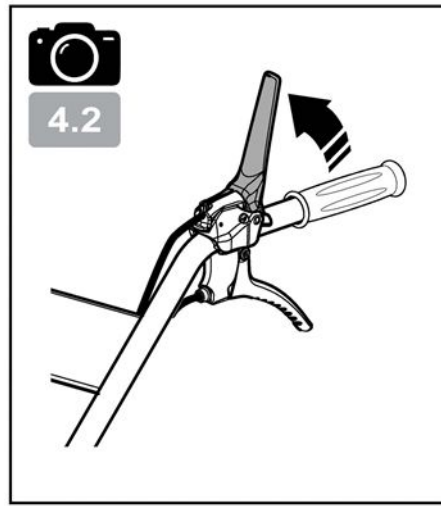
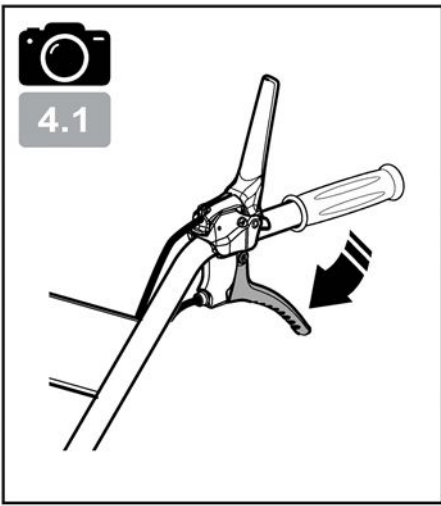


3.1



3.2





Pay close attention to indications preceded by the following statements:



CAUTION: Indicates a high probability of serious physical injury or danger of death if the instructions are not followed

PRECAUTION: Indicates a possibility of physical injury or damage to the equipment if the instructions are not followed

NOTE: Provides useful information



This symbol warns you to be careful during certain operations

If you have any problems or questions about the machine, please contact your dealer.



CAUTION: The machine is designed to provide safe and reliable service when used according to the Instructions. Please read and memorise the content of this manual before you use your machine. If you do not, you will risk injury and the equipment may be damaged

Training / Information:

- Familiarise yourself with the correct use and commands before you use the machine. Be sure that you know how to stop the engine quickly.
- The machine must always be used according to the recommendations indicated in the instruction manual.
- Remember that the user is responsible for any accidents or dangerous reactions occurring to other people or their belongings. It is their responsibility to assess the potential risks in the land to be worked and to take all the necessary precautions to guarantee their safety, in particular on slopes or on rough, slippery or loose ground.
- Never let children or people who are unfamiliar with these instructions use the machine. A minimum user age may be set by local regulations.
- Do not use the machine after taking any medicines or substances considered as potentially harmful to your reflexes and vigilance.
- When using the machine, wear the appropriate protective gear, in particular forestry safety boots meeting the requirements of EN 345 - 2 SB E Class 3, long trousers, goggles and ear protectors.
- Use the machine for the purpose for which it is intended, i.e. strimming. Any other use may be dangerous or may damage the machine.

Preparation:

- Carefully inspect the area where the machine is to be used and remove all objects which may be projected by the machine (stones, wires, glass, metal objects, etc.).
- Before each use, always perform a visual inspection of the machine to make sure that the cutting blades and their attachments and deflectors are not worn or damaged. Have worn or damaged parts replaced by an authorised repair technician (or a professional workshop) before using the machine again.
- If the machine has an engine stop button, keep the engine stop electrical cables in good condition to ensure that the engine will stop. Check that there are no fluid leaks (petrol, oil, etc.).
- Check the condition of the battery at regular intervals (if equipped). Replace if the casing, cover or terminals are damaged.
- Do not use the machine without mudguard or protective covers and make sure that all the attachment mechanisms are fully tightened.
- Avoid strimming cutting around inhabited buildings, paths and parking areas.
- Never use when there are other people nearby.

Caution – Danger: petrol is highly flammable:

- Store the fuel in containers specially provided for the purpose. Fill up with fuel outdoors only and do not smoke during the operation.
- Never remove the cap from the petrol tank or add petrol when the engine is running or when it is hot.
- If petrol is spilled on the ground, do not try to start the engine but move the machine away from this area and avoid causing any fires until the petrol fumes have dissipated.
- Store the machine in a dry place. Never store the machine in premises where the petrol fumes may reach a flame, a spark or a high source of heat.
- Replace the caps of the fuel tank and the petrol can correctly.
- Limit the quantity of petrol in the tank to minimise splashing.
- Do not run the engine in a confined space where carbon monoxide fumes may build up.
- Carbon monoxide may be fatal. Make sure that the premises are well ventilated.

Use:

- Start the engine carefully, following the manufacturer's instructions and keeping your feet away from the tool(s).
- When starting the engine, the operator must not raise the machine and the machine must only be tilted when the cutting blade is turned away from the operator.
- Shut down the engine when the machine is unsupervised.
- Walk, never run with the machine.
- Pull the machine towards you or reverse the movement direction (if possible) with a great deal of care.
- Keep the safe distance in relation to the rotating tools, given by the handlebar length.
- Never put your hands or feet near or under rotating elements.
- In the event of:
 - abnormal vibration,
 - blocking,
 - clutching problem,
 - a collision with a foreign object,
 - damage to the engine shutdown cable (depending on the model),

Shut down the engine immediately (if the engine shutdown cable is cut, activate the starter command as described in the § "starting the engine" to shut down the engine), let the machine cool down, disconnect the spark plug wire, inspect the machine and have the necessary repairs carried out by an authorised repair technician (or a professional workshop) before using the machine again.

- Only work in daylight or in good quality artificial light.
- Do not use the machine in stormy weather.
- Do not use the machine on slopes greater than 20%.
- Never pull the machine towards you when brush cutting
- Work cross-wise on slopes, never ascending or descending.
- When working on a slope, do not stop or start abruptly. Slow down on slopes and tight turns to avoid losing your balance or loss of control. Be particularly careful when changing direction on slopes.
- On ground encumbered with objects or debris whether natural or not (rocks, tree stumps, scrap metal, posts, etc.) any foreign body that might be transformed into a dangerous projectile and/or damage the machine must be avoided
- On sloping or wet ground, beware of the risk of slipping.
- Using accessories other than those recommended may make the machine dangerous and cause damage to your machine, which will not be covered by your warranty.

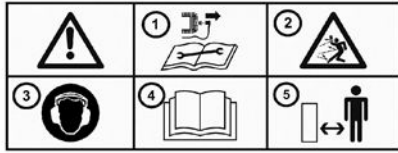
Inspection / Maintenance / Storage / Disposal:

- Shut down the engine and disconnect the spark plug before any cleaning, tool change (cutting blade), adjustment or maintenance operations on the machine.
- Shut down the engine, disconnect the spark plug and wear thick gloves when changing the tool(s).
- Keep all nuts and screws tight to guarantee safe usage conditions.
- To reduce fire risk, keep the engine, the silencer and the fuel storage area free of plants, waste oil, or any other inflammable material.
- If the exhaust silencer is defective, have it replaced by an approved repairer (or a professional workshop).
- Do not repair the parts. Have the parts replaced with original parts. Have parts replaced by an authorised repair technician (or a professional workshop) before using the machine again.
- For your safety, do not modify your machine's characteristics. Do not modify the engine speed regulation settings and do not use the engine in overspeed. Regular maintenance is essential to guarantee safety and maintain performance.
- Let the engine cool down before you store the machine inside premises.
- The appliance must be disposed off in accordance with the regulations in force in the country of use.

Movement / Handling / Transport:

- Any action on the machine apart from brush cutting must be performed with the cutter blades disengaged.
 - The machine must only be moved (except for brush-cutting purposes) in accordance with the instructions in the "Movement" section
- Handling: do not lift the machine on your own. The machine's weight is indicated on the manufacturer's plate and in this manual. The machine must be handled in accordance with the instructions in the "Handling" section.
- The machine must be loaded into and unloaded from a trailer using an adapted loading ramp.
 - Stow the machine correctly for safe transport.
 - The machine must be transported with the engine shut down and the spark plug disconnected using a trailer. Do not use any other method of transport.

PICTOGRAM DEFINITION



- 1 – Disconnect the spark plug before any repair maintenance
- 2 – Rotating blade: pay attention to ejected elements
- 3 – Wear ear protectors
- 4 – Read the user manual
- 5 – Respect the safe distances.



Danger! Cutting risk
Rotating blade
Do not approach the cutting tool

Starter
(depending on version)



Circuit breaker



Forward clutch



Reverse clutch



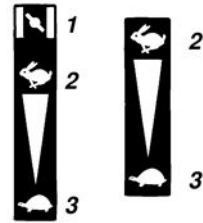
Cutting height adjustment



Gear selection



Gas command
(according to motor)



- 1 - Starter
- 2 - Quick
- 3 - Slow



Do not touch hot surfaces



The exhaust gases are dangerous
Do not use in a poorly-ventilated area



Switch the engine off before filling up



Pictograms that may or may not be present depending on the machine model

TECHNICAL INFORMATION

| | | | |
|---|---|-------------------------|-----------------------------|
| Machine model | DB 551 | | |
| Weight | 50 kg | Engine model | RV225-LE |
| Net power * | 4.1 KW for an engine rate | | 3600 rpm |
| Nominal power | 3.8 KW for a nominal engine rate | | 3000 rpm |
| Guaranteed acoustic power level | <i>NF EN 12733: octobre 2018</i> | | 99 dB(A) |
| Acoustic pressure level at driving position | | | 86.4 dB(A) |
| | <i>NF EN 12733: octobre 2018</i> | Measurement uncertainty | 1 dB(A) |
| Measured acoustic power level | | | 97.3 dB(A) |
| | <i>NF EN 12733: octobre 2018</i> | Measurement uncertainty | 1 dB(A) |
| Level of vibrations on the operator's hands | | | 7.5 m/s ² |
| | <i>NF EN 12733: octobre 2018</i> | Measurement uncertainty | 2 m/s ² |

* The engine power indicated in this document is a net power obtained by the test on a series engine according to standard SAE J 1349 at a given rotation speed. The power of another production engine may be different from this indicated value. The actual power of an engine installed on a machine will depend on different factors, such as the rotation speed, the temperature, humidity, atmospheric pressure, maintenance and other conditions.

EU Stage V emission compliance


| | | |
|----------------------------|---|---|
| | | WARNING: Any change to the engine voids the EU type-approval of this product |
| Approval no.: | <i>E13 2016 1628 2017 656SYA1 P 0100 00</i> | |
| CO ₂ (g/Kw-hr): | <i>870.70</i> | |


In accordance with the provisions of Article 43 2016/1628, the manufacturer provides you with the measured CO₂ value which was determined during the EU type-approval process: this CO₂ measurement results from testing over a fixed test cycle under laboratory conditions a(n) (parent) engine representative of the engine type (engine family) and shall not imply or express any guarantee of the performance of a particular engine.

NOTE: with permanent improvement in mind, the manufacturer specifies that all of this manual is not contractually-binding and reserves the right to modify the specifications of their machines without notice.

Unpacking

1.1

 **CAUTION:**
Incorrect assembly of this machine may cause serious injury.
Make sure that you follow all the instructions carefully

 **DANGER:**
Make sure that you do not cut the cables or scratch the machine's paintwork when cutting sharp edges from the body

| Item | Case content |
|------|----------------------------------|
| A | Side deflector |
| B | Engine block |
| C | Documents + nuts and bolts pouch |

Assembling the handlebar

1.2

Turn over the handlebar avoiding damage to the cables; position it inside the machine and attach it using the 2 bolts at the desired height

Assembling the side deflector

1.3

Cable attachment

1.4

Fixed or swivelling front wheel

1.5

A = Fixed front wheel

B = Swivelling front wheel

Machine identification plate

1.6

A – Manufacturer's name and address

B – Type of machine

C – Serial number

D – Nominal power

E – Weight in kilograms

F – Machine model

G – EC identification

H – Year of manufacture

I – Commercial name

Description of the elements

1.7

1 – Gas lever *

2 – Forward clutch lever

3 – Blade brake handle

4 – Cutting height adjustment lever

5 – Cutting casing

6 – Front wheel

7 – Side deflector

8 – Engine

9 – Automatic winding launcher lead

* According to motor

MACHINE START-UP



← Oil full and level

2.1



← Petrol full

2.2

Super or unleaded or SP95 E 10



← Priming pump


2.3

- If the engine is cold: press the priming pump three times
- If the engine is hot: do not press the priming pump



← Accelerator

2.4

Set the lever to: 



← Pull the launcher handle

2.5



Always remain inside the safety zone when the machine is starting up

USE

This machine is intended for: - cutting grass
- light brush cutting operations (max. cutting diameter: 15 mm)

This machine is not intended for professional use



← Forward

3.1



Keep a safe area with a radius of 40 m around the machine



← Cutting height adjustment

3.2

SHUTDOWN

← Stopping the forward movement

4.1

Release the clutch handle

← Release the blade clutch handle

4.2

← Engine shutdown

4.3

Set the accelerator control to 

← Clean the oil-bath

4.4

← Clean the launcher casing

4.5

DAILY CHECKS

Check the following points before you start the engine: - No loose or broken nuts and bolts
- No fuel or engine oil leaks
- Safety of the environment

← Clean engine oil level

2.1

← Fuel level ok

2.2

← Air filter element cleanliness

4.4



Do not use any flammable solvents to clean the air filter's foam element

MOVEMENT

← Movement

5.1



Shut down the engine

Let the engine cool down

Disconnect the spark plug

← Stowing points

5.2

ADJUSTING THE CLUTCHING CABLE

 If the machine does not move forward or has difficulty doing so:

6.1

- 1- Shut down the machine and disconnect the spark plug
- 2- Loosen the cable tightener nut and tighten it again
- 3- Lock the nut again
- 4- Reconnect the spark plug
- 5- Start the engine and try again. If the problem persists, contact your dealer

SHARPENING THE BLADE

It is advisable to have your blade sharpened and balanced every 20 hours by a professional workshop

Achten Sie besonders auf folgende Warnhinweise:



ACHTUNG: Weist auf die Gefahr schwerer Körperverletzung oder Lebensgefahr hin, wenn die Anweisungen nicht befolgt werden.

VORSICHT: Weist auf die Möglichkeit einer Körperverletzung oder Materialbeschädigung hin, wenn die Anweisungen nicht befolgt werden.

HINWEIS: Liefert nützliche Informationen.



Dieses Symbol weist darauf hin, dass bei bestimmten Arbeiten Vorsicht geboten ist.

Bei Problemen oder Fragen zur Maschine wenden Sie sich bitte an Ihren Fachhändler.



ACHTUNG: Die Maschine arbeitet sicher und zuverlässig, wenn sie unter normalen Bedingungen und gemäß den Anweisungen benutzt wird. Vor Inbetriebnahme dieser Maschine müssen Sie diese Anleitung gelesen und verstanden haben. Andernfalls laufen Sie Gefahr, verletzt zu werden und das Material zu beschädigen.

Schulung / Informationen:

- Machen Sie sich vor der Verwendung der Maschine mit ihrer Funktionsweise und Bedienung vertraut. Lernen Sie, wie man den Motor schnell ausschaltet.
- Die Maschine muss immer gemäß den in dieser Anleitung enthaltenen Empfehlungen und Vorschriften verwendet werden.
- Vergessen Sie nicht, dass der Bediener für Unfälle oder gefährliche Vorfälle haftet, bei denen anderen Personen oder Gegenständen Schaden zugefügt wird. Aus diesem Grund ist er dafür verantwortlich, die potentiellen, mit dem zu bearbeitenden Gelände zusammenhängenden Gefahren zu beurteilen und die erforderlichen Sicherheitsmaßnahmen – vor allem bei Gefälle, unebenem, rutschigem oder lockerem Boden – zu treffen.
- Diese Maschine darf niemals von Kindern oder Personen verwendet werden, die mit ihrer Bedienung nicht vertraut sind. Gemäß den jeweiligen Landesvorschriften kann ein Mindestalter für den Benutzer vorgegeben sein.
- Nehmen Sie die Maschine nicht in Gebrauch, wenn Sie Medikamente oder Substanzen, die das Reaktionsvermögen und die Konzentration bekanntlich mindern, eingenommen haben.
- Tragen Sie beim Gebrauch der Maschine geeignete Schutzausrüstungen, insbesondere Forstschutzstiefel, die den Anforderungen an EN 345-2 SB E, Klasse 3 entsprechen, eine lange Hose, eine Schutzbrille und einen Gehörschutz.
- Verwenden Sie die Maschine ausschließlich für den vorgesehenen Verwendungszweck, in diesem Fall leichte Rodung. Jegliche andere Verwendung kann gefährlich sein und zur Beschädigung der Maschine führen.

Vorbereitung:

- Überprüfen Sie sorgfältig den Arbeitsbereich und entfernen sämtliche Gegenstände, die von der Maschine mitgerissen und geschleudert werden könnten (Steine, Drähte, Glas, Metallgegenstände usw.).
- Führen Sie vor jeglicher Verwendung stets eine Sichtprüfung an der Maschine auf abgenutzte oder beschädigte Messer sowie die Befestigungen und Deflektoren durch. Lassen Sie abgenutzte oder beschädigte Teile von einem zugelassenen Reparaturdienst (oder einer Fachwerkstatt) austauschen.
- Besitzt die Maschine einen Motorabschaltknopf, halten Sie die elektrischen Motorabschaltkabel in einwandfreiem Zustand, damit das Abschaltsystem funktionstüchtig bleibt. Kontrollieren Sie, dass kein Leck vorliegt (Benzin, Öl usw.).
- Den Batteriestand regelmäßig überprüfen (falls vorhanden) Die Batterie austauschen, wenn das Gehäuse, die Abdeckung oder die Klemmen beschädigt sind.
- Benutzen Sie die Maschine nicht ohne Kotflügel oder Schutzbleche und vergewissern sich, dass alle Befestigungen fest sitzen.

- Arbeiten Sie nicht zu nahe an Wohn-, Verkehrs- und Parkanlagen.
- Nehmen Sie die Maschine nicht in Betrieb, wenn Dritte sich im Arbeitsbereich aufhalten.

Achtung Gefahr: Benzin ist hoch entzündlich:

- Bewahren Sie Kraftstoff stets in speziell dafür vorgesehenen Behältern auf. Der Kraftstoff ist ausschließlich im Freien einzufüllen. Beim Einfüllen nicht rauchen.
- Entfernen Sie niemals den Tankverschluss, und füllen Sie Benzin in keinem Fall bei laufendem oder warmem Motor ein.
- Ist Benzin auf den Boden ausgelaufen, versuchen Sie nicht, den Motor einzuschalten, sondern entfernen die Maschine aus dem betroffenen Bereich, bis die Benzindämpfe sich aufgelöst haben, um einer Entzündung vorzubeugen.
- Stellen Sie die Maschine an einem trockenen Ort ab. Stellen Sie die Maschine niemals in einem Raum ab, in dem Benzindämpfe durch eine Flamme, einen Funken oder eine starke Hitzequelle entzündet werden könnten.
- Setzen Sie den Tankverschluss und den Verschluss des Benzinvorratsbehälters richtig ein.
- Füllen Sie nicht zu viel Benzin ein, um Spritzer zu vermeiden.
- Lassen Sie den Motor nicht in einem geschlossenen Raum laufen, in dem sich Kohlenmonoxid ansammeln kann.
- Kohlenmonoxid ist lebensgefährlich. Achten Sie auf eine gute Lüftung.

Gebrauch:

- Starten Sie den Motor behutsam gemäß den Anweisungen des Herstellers und halten die Füße fern von den Arbeitswerkzeugen.
- Beim Starten des Motors darf der Bediener die Maschine nicht anheben. Die Maschine darf erst geneigt werden, wenn die Klinge zur gegenüberliegenden Seite des Bedieners gedreht ist.
- Stellen Sie den Motor ab, wenn die Maschine unbeaufsichtigt bleibt.
- Laufen Sie niemals, sondern gehen Sie mit der Maschine.
- Ziehen Sie die Maschine zu sich oder führen den Richtungswechsel immer mit größter Vorsicht durch (bei vorhandener Option).
- Halten Sie stets einen Sicherheitsabstand zu den rotierenden Werkzeugen: Der Abstand ist durch die Länge des Lenkers vorgegeben.
- Bringen Sie Ihre Hände und Füße niemals in die Nähe oder unter die rotierenden Maschinenelemente.
- Bei:
 - ungewöhnlicher Vibration,
 - Blockierung
 - Problemen mit der Kupplung,
 - Aufprall auf einen Fremdkörper
 - Beschädigung des Motorabschaltkabels (je nach Modell, Schalten Sie den Motor sofort ab (ist das Motorabschaltkabel gerissen, betätigen Sie den Starterhebel wie im Abschnitt "Starten des Motors" beschrieben, um den Motor auszuschalten). Lassen Sie die Maschine abkühlen, klemmen Sie den Kerzendraht ab, kontrollieren Sie die Maschine und lassen Sie vor einem erneuten Gebrauch die notwendigen Reparaturen von einem zugelassenen Reparaturdienst (oder einer Fachwerkstatt) durchführen.
 - Arbeiten Sie nur bei Tageslicht oder bei ausreichender Beleuchtung.
 - Die Maschine nicht bei Gewitter verwenden
 - Nehmen Sie die Maschine nicht auf Gefällen über 20% in Gebrauch.
 - Ziehen Sie aus Sicherheitsgründen niemals die Maschine mit laufendem Mähwerk auf sich zu.
 - Arbeiten Sie stets quer zum Hang, niemals auf- oder abwärts.
 - Vermeiden Sie abrupte Halte- und Startmanöver an Hängen. Drosseln Sie die Geschwindigkeit an Hängen und in engen Kurven, um einem Kippen oder einem Kontrollverlust vorzubeugen. Besondere Vorsicht ist bei Richtungswechseln an Hängen geboten.
 - Vorsicht bei natürlichen oder von Menschenhand geschaffenen Hindernissen auf dem Gelände (Felsbrocken, Baumstämme, Metallobjekte, Pfähle u.a.): Meiden Sie unbedingt sämtliche Fremdkörper, die von der Maschine erfasst und weggeschleudert werden und/oder die Maschine beschädigen könnten.

- Achtung Sturzgefahr auf Hängen oder nassem Gelände.
- Das Verwenden von anderem als dem empfohlenen Zubehör kann gefährlich sein und zu Maschinenschäden führen, die von der Garantie ausgeschlossen sind.

Prüfung / Wartung / Aufbewahrung / Entsorgung:

- Vor Reinigung, Kontrolle, Werkzeugwechsel (Messer und/oder Schlegel), Einstellung und Wartung der Maschine den Motor ausschalten und die Kerze abklemmen.
- Den Motor ausschalten, die Kerze abklemmen und für den Werkzeugwechsel dicke Schutzhandschuhe verwenden.
- Für einen sicheren Betrieb achten Sie bitte darauf, dass alle Muttern und Schrauben fest sitzen.
- Zur Verringerung der Brandgefahr halten Sie den Motor, den Schalldämpfer und den Treibstoffspeicherbereich frei von Pflanzen, Fettrückständen und sonstigen entzündlichen Stoffen.
- Lassen Sie beschädigte Schalldämpfer nur von einem zugelassenen Reparaturdienst (oder einer Fachwerkstatt) austauschen.
- Nehmen Sie keine Reparaturen an gebrauchten Maschinenteilen vor. Lassen Sie die Teile nur gegen Originalersatzteile austauschen. Lassen Sie abgenutzte oder beschädigte Teile von einem zugelassenen Reparaturdienst (oder einer Fachwerkstatt) austauschen.
- Nehmen Sie zu Ihrer Sicherheit keine Umbauten vor, welche die Merkmale Ihrer Maschine verändern. Verstellen Sie nicht die Drehzahlregelung des Motors und lassen Sie den Motor nicht bei Überdrehzahl laufen. Nur die regelmäßige Instandhaltung kann die Sicherheit und die Erhaltung der Maschinenleistung gewährleisten.
- Lassen Sie den Motor abkühlen, bevor Sie die Maschine in einem Raum abstellen. Die Entsorgung des Geräts muss unter Einhaltung der geltenden Vorschriften des jeweiligen Landes erfolgen.

Heben / Bewegen / Transportieren:

- Vor sämtlichen Arbeiten an der Maschine kuppeln Sie die Schneidwerkzeuge aus.
- Der Fahrbetrieb (ausgenommen Rodung) muss gemäß den Anweisungen des Abschnitts "Fahrbetrieb" erfolgen.
- Handhabung: Die Maschine nicht alleine anheben. Das Maschinengewicht ist auf dem Typenschild und in dieser Anleitung angegeben. Die Handhabung der Maschine muss wie im Abschnitt "Handhabung" beschrieben erfolgen.
- Zum Auf- bzw. Entladen der Maschine auf/von einem Anhänger ist unbedingt eine geeignete Laderampe zu benutzen.
- Für einen sicheren Transport achten Sie darauf, dass die Maschine ordentlich befestigt ist.
- Die Maschine muss mit ausgeschaltetem Motor und abgeklemmter Kerze mithilfe eines Anhängers transportiert werden. Verwenden Sie keine anderen Transportmittel.

BESCHREIBUNG DER PIKTOGRAMME

DE



- 1 - Die vordere Kerze vor jeder Reparaturarbeit herausziehen
- 2 - Kreismesser: Achtung Spritzgefahr
- 3 - Einen Gehörschutz tragen
- 4 - Die Betriebsanleitung lesen
- 5 - Die Sicherheitsabstände einhalten



Gefahr! Durchschnittrisiko
Drehende Klinge
Dem Schneidewerkzeug fernbleiben

Starter
(je nach Ausführungsvariante)



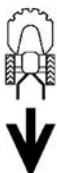
Trennschalter



Vorwärtsgeschwindigkeit



Rückwärtsgang-Kupplung



Einstellung Schnitthöhe



Wahl der Geschwindigkeit



Gashebel
(je nach Antriebsart)



- 1 - Starter
- 2 - Schnell
- 3 - Langsam



Die heißen Oberflächen niemals berühren



Abgase sind gefährlich für die Gesundheit
Niemals an einem schlecht durchlüfteten Ort laufen lassen



Den Motor vor dem Volltanken ausschalten



Je nach Maschinenmodell vorhandene oder nicht vorhandene Piktogramme

TECHNISCHE INFORMATIONEN

| | | | |
|--|---|------------------|-----------------------------|
| Maschinenmodell | DB 551 | | |
| Gewicht | 50 kg | Modell/Motor | RV225-LE |
| Nettoleistung * | 4.1 KW, für eine Motorleistung | | 3600 U/min |
| Nennleistung | 3.8 KW, für eine Nenndrehzahl des Motors | | 3000 U/min |
| Garantierter Schalleistungspegel | <i>NF EN 12733: octobre 2018</i> | | 99 dB(A) |
| Schalleistungspegel am Fahrerstand | | | 86.4 dB(A) |
| | <i>NF EN 12733: octobre 2018</i> | Messunsicherheit | 1 dB(A) |
| Gemessener Schalleistungspegel | | | 97.3 dB(A) |
| | <i>NF EN 12733: octobre 2018</i> | Messunsicherheit | 1 dB(A) |
| Vibrationspegel an den Händen des Maschinenführers | | | 7.5 m/s ² |
| | <i>NF EN 12733: octobre 2018</i> | Messunsicherheit | 2 m/s ² |

* Die in diesem Dokument angegebene Motorleistung ist eine Nutzleistung, die im Versuch mit einem Serienmotor gemäß der Norm SAE J 1349 mit einer gegebenen Drehzahl erhalten wurde. Die Leistung eines anderen Motors kann von diesem Wert abweichen. Die tatsächliche Leistung eines in eine Maschine eingebauten Motors ist von unterschiedlichen Faktoren abhängig, etwa der Umdrehungsgeschwindigkeit, den Temperaturbedingungen, der Feuchtigkeit, dem atmosphärischen Druck, der Instandhaltung, usw.

Konformität Emissionen (EU) - Phase V



ACHTUNG: Bei Beschädigung des Motors wird die EU-Typenzulassung für dieses Produkt aufgehoben

Zulassungsnummer: *E13 2016 1628 2017 656SYA1 P 0100 00*

CO² (g/Kw-hr) : *870.70*

Gemäß den Bestimmungen des Artikels 43 2016/1628 übermittelt Ihnen der Hersteller den CO²-Wert, der pro Typ beim EU-Rezeptionsprozess bestimmt wurde: Dieser CO²-Messwert ergibt sich aus Tests, die im Rahmen eines bestimmten Testzyklus unter Laborbedingungen an einem repräsentativen Exemplar des Motortyps (Motorenfamilie) durchgeführt wurden, und darf keinerlei Leistungsgarantie eines spezifischen Motors beinhalten oder ausdrücken.

HINWEIS: Im ständigen Bestreben nach Verbesserungen erklärt der Hersteller, dass das gesamte Handbuch nicht verbindlich ist, und behält sich das Recht vor, die Spezifikationen seiner Maschinen ohne vorherige Ankündigung zu ändern.

Auspacken

1.1



ACHTUNG:

Eine unsachgemäße Montage dieser Maschine kann zu schweren Verletzungen führen. Vergewissern Sie sich, dass Sie alle Anweisungen sorgfältig befolgen.



ACHTUNG:

Achten Sie beim Aufschneiden der Kanten der Kiste darauf, die Kabel nicht durchzuschneiden bzw. den Lack der Maschine nicht zu beschädigen.

| Mark. | Inhalt der Kiste |
|-------|-----------------------------------|
| A | Seitenblech |
| B | Motoraggregat |
| C | Hülle mit Anleitungen + Schrauben |

Montage des Lenkers

1.2

Den Lenker herumdrehen (ohne dabei die Kabel zu beschädigen), im Inneren der Maschine positionieren und mithilfe von 2 Muttern auf der gewünschten Höhe fixieren

Montage des Seitenblechs

1.3

Kabelbefestigung

1.4



← Vorderrad fest oder rotierend

1.5

A = Vorderrad fest

B = Vorderrad rotierend



← Kennzeichnungsschild der Maschine

1.6

A – Name und Adresse des Herstellers

B – Maschinentyp

C – Seriennummer

D – Nennleistung

E – Masse in Kilogramm

F – Maschinenmodell

G – CE-Kennzeichnung

H – Herstellungsjahr

I – Handelsbezeichnung



← Beschreibung der Elemente

1.7

1 – Gashebel *

2 – Kupplungsgriff Vorwärts

3 – Haltegriff Messerbremse

4 – Einstellungshebel für Schnitthöhe

5 – Schneidgehäuse

6 – Vorderrad

7 – Seitenblech

8 – Motor


9 – Startseil mit automatischer Aufwicklung

* Je nach Antriebsart

STARTEN DER MASCHINE

DE

 ← Ölnachfüllung und Füllstand
2.1


 ← Gashebel
2.4


Setzen Sie den Hebel in Richtung: 

 ← Benzinnachfüllung
2.2

Super oder Bleifrei oder SP95 E 10

 ← Ziehen Sie am Griff des Starters
2.5

 **Blieben Sie beim Starten der Maschine stets innerhalb des Sicherheitsbereichs**


 ← Ansaugpumpe
2.3


- Bei kaltem Motor: die Ansaugpumpe 3 Mal drücken
- Bei warmem Motor: die Ansaugpumpe nicht drücken

Verwendung

Diese Maschine ist für Folgendes vorgesehen: - Mähen von Gras
- Leichte Rodung (Max. Schnittdurchmesser: 15 mm)

Diese Maschine ist nicht für einen professionellen Einsatz vorgesehen

 ← Vorwärtsgang
3.1

 **Einen Sicherheitsbereich mit einem Radius von 40 m rund um die Maschine einhalten.**

 ← Einstellung Schnitthöhe
3.2

ABSCHALTEN



4.1

← Vorwärtsgang abschalten

Den Kupplungsgriff loslassen



4.2

← Den Messerkupplungshebel loslassen



4.3

← Motor abschalten

Stellen Sie die Gashebelsteuerung auf 



4.4

← Luftfilter reinigen



4.5

← Das Gehäuse des Starters reinigen

TÄGLICHE KONTROLLEN

Bevor Sie den Motor starten, überprüfen Sie folgende Punkte:

- Keine lockeren oder abgebrochenen Bolzen und Muttern
- Keine Benzin- und Motoröllecks.
- Sicherheit der Umgebung



2.1

← Motorölstand



2.2

← Benzinstand ausreichend



4.4

← Sauberkeit des Luftfilterelements



Zur Reinigung des Schaumstoffteils im Luftfilter keine entzündlichen Lösungsmittel verwenden

BEWEGEN



5.1

← Bewegen



Den Motor abstellen
Die Maschine abkühlen lassen
Die Kerze abklemmen



5.2

← Verankerungspunkte

EINSTELLUNG DES KUPPLUNGSKABELS



6.1

Wenn die Maschine nicht oder ungleichmäßig vorwärts fährt:

- 1- Die Maschine abstellen und die Zündkerze abstecken
- 2- Die Mutter der Spannvorrichtung des Kupplungskabels lösen und das Kabel nachspannen
- 3- Die Mutter erneut sichern
- 4- Die Zündkerze wieder anstecken
- 5- Starten Sie die Maschine und versuchen Sie es erneut. Wenn das Problem weiterhin besteht, kontaktieren Sie bitte Ihren Vertriebs Händler

SCHLEIFEN DES MESSERS

Es wird empfohlen, das Messer alle 20 Stunden von einer Fachwerkstatt schleifen und neu ausgleichen zu lassen

CONSIGNES DE SÉCURITÉ

Attacher une attention particulière aux indications précédées des mentions suivantes :



ATTENTION : Signale une forte probabilité de blessures corporelles graves, voir un danger mortel si les instructions ne sont pas suivies

PRÉCAUTION : Signale une possibilité de blessures corporelles ou de détérioration de l'équipement si les instructions ne sont pas suivies

NOTE : Fournit des informations utiles



Ce signe vous appelle à la prudence lors de certaines opérations

En cas de problème, ou pour toutes questions concernant la machine, veuillez-vous adresser à votre revendeur.



ATTENTION : La machine est conçue pour assurer un service sûr et fiable dans des conditions d'utilisation conformes aux instructions. Avant d'utiliser votre machine, veuillez lire et assimiler le contenu de ce manuel. A défaut, vous vous exposez à des blessures et l'équipement pourrait être endommagé

Formation / Informations :

- Se familiariser avec l'utilisation correcte et les commandes avant d'utiliser la machine. Savoir arrêter le moteur rapidement.
- La machine doit toujours être utilisée suivant les recommandations indiquées dans la notice d'instructions.
- Ne pas oublier que l'utilisateur est responsable des accidents ou des phénomènes dangereux survenant aux autres personnes ou à leurs biens. Il est de sa responsabilité d'évaluer les risques potentiels du terrain à travailler et de prendre toutes les précautions nécessaires pour assurer sa sécurité, en particulier dans les pentes, les sols accidentés, glissants ou meubles.
- Ne jamais laisser les enfants, ou des personnes non familières avec ces instructions, utiliser la machine. Les réglementations locales peuvent fixer un âge minimal pour l'utilisateur.
- Ne pas utiliser la machine après avoir absorbé des médicaments ou des substances, réputées comme pouvant nuire à sa capacité de réflexe et de vigilance.
- Pour utiliser la machine, portez des équipements de protections appropriés, en particulier des bottes de sécurité forestière conformes EN 345 - 2 SB E Classe 3, des pantalons longs, des lunettes protectrices et un casque anti-bruit
- Utiliser la machine pour l'usage auquel elle est destinée, à savoir le débroussaillage. Toute autre utilisation peut s'avérer dangereuse ou entraîner une détérioration de la machine.

Préparation :

- Inspecter minutieusement la zone sur laquelle la machine doit être utilisée et éliminer tous les objets qui pourraient être projetés par la machine (pierres, fils, verre, objets en métal, etc...).
- Avant chaque utilisation, toujours procéder à une inspection visuelle de la machine pour s'assurer que les lames et/ou fléaux ainsi que leurs fixations, les déflecteurs ne sont ni usés ni endommagés. Faire remplacer les pièces usées ou endommagées par un réparateur agréé (ou un atelier professionnel) avant toute nouvelle utilisation.
- Si la machine est équipée d'un bouton d'arrêt moteur, maintenir les câbles électriques d'arrêt moteur en bon état de façon à garantir l'arrêt moteur. Vérifier l'absence de fuite de liquide (essence, huile, etc...)
- Contrôler l'état de la batterie à intervalles réguliers (si équipée). La remplacer si le carter, le couvercle ou les bornes sont endommagés.
- Ne pas utiliser la machine sans garde-boue ou capots de protection et s'assurer que tous les dispositifs de fixation sont bien serrés.
- Éviter de débroussailler à proximité de lieux habités, de passage ou de stationnement.
- Ne jamais utiliser la machine en présence de tiers.

Attention – Danger : l'essence est hautement inflammable :

- Stocker le carburant dans des récipients spécialement prévus à cet effet. Faire le plein à l'extérieur uniquement et ne pas fumer pendant cette opération.
- Ne jamais enlever le bouchon du réservoir d'essence ou ajouter de l'essence pendant que le moteur tourne ou tant qu'il est chaud.
- Si de l'essence a été répandue sur le sol, ne pas tenter de démarrer le moteur mais éloigner la machine de cette zone et éviter de provoquer toute inflammation tant que les vapeurs d'essence ne sont pas dissipées.
- Entreposer la machine dans un endroit sec. Ne jamais entreposer la machine dans un local où les vapeurs d'essence pourraient atteindre une flamme, une étincelle ou une forte source de chaleur.
- Remettre correctement en place les bouchons du réservoir d'essence.
- Limiter la quantité d'essence dans le réservoir pour minimiser les éclaboussures.
- Ne pas faire tourner le moteur dans un endroit confiné où les vapeurs de monoxyde de carbone peuvent s'accumuler.
- Le monoxyde de carbone peut être mortel. Assurer une bonne ventilation.

Utilisation :

- Démarrer le moteur avec précaution en respectant les instructions du fabricant et en maintenant les pieds éloignés de l'(des) outil(s).
- Lors du démarrage du moteur, l'opérateur ne doit pas soulever la machine et celle-ci ne doit être inclinée que lorsque la lame de coupe est tournée du côté opposé à l'opérateur.
- Arrêter le moteur quand la machine est sans surveillance.
- Marcher, ne jamais courir avec la machine.
- Tirer la machine vers soi ou inverser le sens de marche (si disponible) avec beaucoup de précautions.
- Conserver la distance de sécurité par rapport aux outils rotatifs, donnée par la longueur du guidon.
- Ne pas placer les mains ou les pieds près ou sous des éléments en rotation.
- En cas de :
 - vibration anormale,
 - blocage,
 - problème d'embrayage,
 - choc avec un objet étranger,
 - détérioration du câble d'arrêt moteur (suivant modèle).

Arrêter le moteur immédiatement (si le câble moteur est coupé, actionner la commande du starter comme décrit au § "démarrage moteur" pour arrêter le moteur), laisser la machine refroidir, débrancher le fil de bougie, inspecter la machine et faire effectuer les réparations nécessaires par un réparateur agréé (ou un atelier professionnel) avant toute nouvelle utilisation.

- Travailler uniquement à la lumière du jour ou dans une lumière artificielle de bonne qualité.
- Ne pas utiliser la machine par temps orageux.
- Ne pas utiliser la machine dans des pentes supérieures à 20%.
- Ne jamais débroussailler en tirant la machine vers soi.
- Travailler les pentes dans le sens transversal, jamais en montant ou en descendant.
- Ne pas s'arrêter ni démarrer brutalement lorsque l'on se trouve sur une pente. Ralentir sur les pentes et dans les virages serrés pour éviter tout basculement ou perte de contrôle. Être particulièrement vigilant lors des changements de direction sur les pentes.
- Sur un terrain encombrés d'objets ou de débris naturels ou rapportés (rochers, souches d'arbres, débris métalliques, piquets, etc...) : tout corps étranger pouvant se transformer en dangereux projectile et/ou abîmer la machine doivent être évités.
- Sur terrains en pente et mouillés attention aux risques de chute.
- L'utilisation d'accessoires autres que ceux recommandés peut rendre la machine dangereuse, et occasionner des dommages sur votre machine qui ne seront pas couverts par votre garantie.

Inspection / Maintenance / Stockage / Mise au rebut :

- Arrêter le moteur et débrancher la bougie avant toute opération d'inspection, de nettoyage, de changement d'outils (lame de coupe et/ou fléaux), de réglage ou d'entretien de la machine.
- Arrêter le moteur, débrancher la bougie et utiliser des gants épais pour changer l(es) outil(s).
- Maintenir tous les écrous et vis serrés afin d'assurer des conditions d'utilisation sûres.
- Pour réduire les risques d'incendie, maintenir le moteur, le silencieux, et la zone de stockage de l'essence dégagés de végétaux, d'excès de graisse, ou de toute autre matière susceptible de s'enflammer.
- Faire remplacer les silencieux d'échappement défectueux par un réparateur agréé (ou un atelier professionnel).
- Ne pas réparer les pièces. Faire remplacer les pièces par des pièces d'origine. Faire effectuer leur(s) remplacement(s) par un réparateur agréé (ou un atelier professionnel) avant toute nouvelle utilisation.
- Pour votre sécurité ne pas modifier les caractéristiques de votre machine. Ne pas modifier les réglages de régulation de vitesse du moteur et ne pas utiliser le moteur en survitesse. Un entretien régulier est essentiel pour la sécurité et le maintien du niveau de performances.
- Laisser le moteur refroidir avant de ranger la machine dans un local.
- Toute mise au rebut de l'appareil doit être réalisée conformément à la réglementation en vigueur dans le pays d'utilisation.

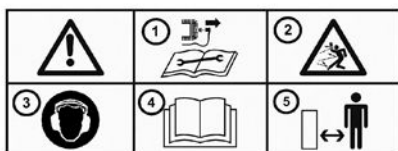
Déplacement / Manutention / Transport :

- Toute action sur la machine hors du débroussaillage doit s'effectuer avec les outils de coupe débranchés.
- Le déplacement (hors du débroussaillage) doit s'effectuer suivant les instructions du § "déplacement"
- Manutention : ne pas soulever la machine seul. Le poids de la machine est indiqué sur la plaque constructeur et dans ce manuel. La manutention doit s'effectuer comme décrit au § "manutention".
- Le chargement et le déchargement de la machine dans une remorque doit s'effectuer à l'aide d'une rampe de chargement adaptée.
- Arrimer correctement la machine pour un transport en toute sécurité.
- Le transport doit s'effectuer moteur arrêté et bougie débranchée à l'aide d'une remorque. N'utiliser aucun autre moyen de transport.

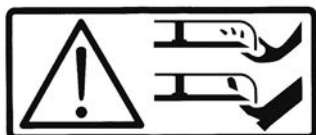
FR

DÉFINITION DES PICTOGRAMMES

FR



- 1 – Déconnecter la bougie avant tout entretien de réparation
- 2 – lame rotative attention aux projections
- 3 – Porter un casque anti-bruit
- 4 – Lire le manuel d'utilisation
- 5 – Respect des distances de sécurité



Danger ! Risques de sectionnement
Lame en rotation
Ne pas s'approcher de l'outil de coupe

Démarrateur
(suivant version)



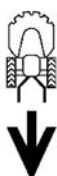
Coupe-circuit



Embrayage d'avancement



Embrayage de recul



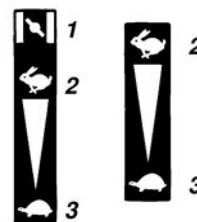
Réglage hauteur de coupe



Sélection de vitesse



Commande de gaz
(suivant motorisation)



- 1 - Starter
- 2 - Rapide
- 3 - Lent



Ne pas toucher aux surfaces chaudes



Les gaz d'échappement sont dangereux
Ne pas utiliser dans un endroit mal aéré



Couper le moteur avant de refaire le plein



Pictogrammes présents ou non suivant le modèle de machine

INFORMATIONS TECHNIQUES

| | | | |
|--|---------------------------|-------------------------------------|---|
| Modèle machine | DB 551 | | |
| Poids | 50 | Kg | Modèle moteur RV225-LE |
| Puissance nette * | 4.1 | KW pour un régime moteur de | 3600 tr/min |
| Puissance nominale | 3.8 | KW pour un régime moteur nominal de | 3000 tr/min |
| Niveau de puissance acoustique garantie | NF EN 12733: octobre 2018 | | 99 dB(A) |
| Niveau de pression acoustique au poste de conduite | | | 86.4 dB(A) |
| | NF EN 12733: octobre 2018 | | Incertitude de mesure 1 dB(A) |
| Niveau de puissance acoustique mesurée | | | 97.3 dB(A) |
| | NF EN 12733: octobre 2018 | | Incertitude de mesure 1 dB(A) |
| Niveau de vibrations aux mains de l'opérateur | | | 7.5 m/s ² |
| | NF EN 12733: octobre 2018 | | Incertitude de mesure 2 m/s ² |

* La puissance du moteur indiquée dans ce document est une puissance nette obtenue par l'essai d'un moteur de série selon la norme SAE J 1349 à une vitesse de rotation donnée. La puissance d'un autre moteur de production peut être différente de cette valeur indiquée. La puissance réelle d'un moteur installé sur une machine dépendra de différents facteurs comme la vitesse de rotation, les conditions de température, d'humidité, de pression atmosphérique, de maintenance et autres.

Conformité émission EU – Phase V



ATTENTION : toute altération du moteur annule l'homologation de type EU de ce produit

N° d'homologation : *E13 2016 1628 2017 656SYA1 P 0100 00*

CO² (g/Kw-hr) : *870.70*

Conformément aux dispositions de l'article 43 2016/1628, le constructeur met à votre disposition la valeur de CO² mesurée telle que déterminée lors du processus de réception UE par type: cette mesure de CO² résulte d'essais menés sur un cycle d'essai déterminé dans des conditions de laboratoire sur un exemplaire représentatif du type de moteur (famille de moteurs) et ne doit impliquer ou exprimer aucune garantie de performance d'un moteur particulier.

NOTA : dans un souci permanent d'amélioration, le constructeur précise que l'intégralité de ce manuel n'est pas contractuelle, et se réserve le droit de modifier sans prévenir, les spécifications de ses machines

Déballage

1.1



ATTENTION :
Un assemblage inapproprié de cette machine peut provoquer des blessures graves
Assurez-vous de suivre toutes les instructions soigneusement



ATTENTION :
Prendre garde de ne pas couper les câbles ou à rayer la peinture de la machine en coupant les arêtes de la caisse

| Rep. | Contenu de la caisse |
|------|-------------------------------|
| A | Défecteur latéral |
| B | Bloc moteur |
| C | Pochette documents + visserie |

Montage du guidon

1.2

Retourner le guidon en évitant d'abîmer les câbles, le positionner à l'intérieur de la machine et le fixer à l'aide des 2 boulons à la hauteur souhaitée

Montage du déflecteur latéral

1.3

Fixation des câbles

1.4



Roue avant fixe ou pivotante

1.5

A = Roue avant fixe

B = Roue avant pivotante



Plaque d'identification de la machine

1.6

- A – Nom et adresse du constructeur
- B – Type de la machine
- C – Numéro de série
- D – Puissance nominale
- E – Masse en kilogrammes
- F – Modèle de la machine
- G – Identification CE
- H – Année de fabrication
- I – Désignation commerciale



Description des éléments

1.7

- 1 – Manette de gaz *
- 2 – Manette d'embrayage d'avancement
- 3 – Poignée de frein de lame
- 4 – Manette de réglage hauteur de coupe
- 5 – Carter de coupe
- 6 – Roue avant
- 7 – Défecteur latéral
- 8 – Moteur
- 9 – Corde de lanceur à réenroulement automatique

* Suivant motorisation

DÉMARRAGE MACHINE

FR



← **Plein d'huile et niveau**



← **Plein d'essence**

Super ou sans plomb ou SP95 E 10



← **Pompe d'amorçage**

- Si le moteur est froid : presser la pompe d'amorçage 3 fois
- Si le moteur est chaud : ne pas presser la pompe d'amorçage



← **Accélérateur**

Mettre le levier vers : 



← **Tirer sur la poignée du lanceur**



Lors du démarrage de la machine, toujours rester dans la zone de sécurité

UTILISATION

Cette machine est destinée à :
- la coupe de l'herbe
- au débroussaillage léger (diamètre maxi de coupe : 15 mm)

Cette machine n'est pas destinée à une utilisation professionnelle



← **Marche avant**



Respecter une zone de sécurité de 40 m de rayon autour de la machine



← **Réglage hauteur de coupe**

ARRÊT

Arrêt de la marche avant

4.1 Relâcher le levier d'embrayage

Relâcher la poignée d'embrayage de lame

4.2

Arrêt moteur

4.3 Mettre la commande d'accélérateur sur 

Nettoyer le filtre à air

4.4

Nettoyer le carter du lanceur

4.5

FR

CONTRÔLES QUOTIDIENS

Avant de mettre le moteur en marche, vérifier les points suivants : - Absence de boulons et écrous desserrés ou cassés
- Absence de fuite d'essence et d'huile moteur
- Sécurité de l'environnement

Niveau d'huile moteur propre

2.1

Niveau d'essence suffisant

2.2

Propreté de l'élément du filtre à air

4.4



Ne pas utiliser de solvant inflammable pour nettoyer l'élément mousse du filtre à air

DÉPLACEMENT

Déplacement

5.1




Arrêter le moteur
Laisser refroidir la machine
Débrancher la bougie

Points d'arrimage

5.2

RÉGLAGE DU CÂBLE D'EMBRAYAGE

 Si la machine n'avance pas ou avance mal :

6.1

- 1- Arrêter la machine et débrancher la bougie
- 2- Débloquer l'écrou du tendeur de câble et retendre le câble
- 3- Rebloquer l'écrou
- 4- Rebrancher la bougie
- 5- Démarrer la machine et essayer de nouveau. Si le problème persiste, contacter votre revendeur.

AFFÛTAGE DE LA LAME

Il est conseillé de faire affûter et équilibrer votre lame toutes les 20 heures par un atelier professionnel

CONSIGNAS DE SEGURIDAD

Prestar mucha atención a las indicaciones precedidas por las siguientes menciones:



ATENCIÓN: Indica una alta probabilidad de lesiones corporales graves, e incluso riesgo de muerte si no se siguen las instrucciones

PRECAUCIÓN: Indica una posibilidad de lesiones corporales o de deterioro del equipo si no se siguen las instrucciones

NOTA: Proporciona información útil



Este símbolo recomienda prudencia al realizar ciertas operaciones

En caso de problemas, o para cualquier pregunta relativa a la máquina, diríjase a su revendedor.



ATENCIÓN: Esta máquina se ha concebido para garantizar un servicio seguro y fiable en condiciones de uso conformes con las instrucciones. Antes de utilizar la máquina, lea y asimile el contenido de este manual. En caso contrario, podría verse expuesto a lesiones y el equipo podría resultar dañado

Formación / Informaciones:

- Familiarizarse con el uso correcto y los mandos antes de utilizar la máquina. Es conveniente saber detener el motor rápidamente.
- La máquina debe utilizarse siempre de acuerdo con las recomendaciones indicadas en el manual de instrucciones.
- No olvidar que el usuario es responsable de los accidentes o fenómenos peligrosos que ocurran a las demás personas o a sus bienes. Es su responsabilidad evaluar los riesgos potenciales del terreno a trabajar y tomar todas las precauciones necesarias para garantizar su seguridad, en particular en las pendientes, los suelos accidentados, resbaladizos o blandos.
- No permitir en ningún caso que los niños o las personas no familiarizadas con estas instrucciones utilicen la máquina. Las normativas locales pueden establecer una edad mínima del usuario de la máquina.
- No utilizar la máquina tras haber ingerido medicamentos o sustancias que puedan perjudicar la capacidad de reflejos y de vigilancia.
- Para operar la máquina, utilice equipo de protección adecuado, en particular botas de seguridad forestal conformes a la normativa EN 345 - 2 SB E Clase 3, pantalones largos, gafas de protección y casco antirruídos.
- Utilizar la máquina para su uso previsto, es decir, el desbrozamiento. Cualquier otro uso puede resultar peligroso o provocar el deterioro de la máquina.

Preparación:

- Inspeccionar minuciosamente la zona en la que será utilizada la máquina y eliminar todos los objetos que puedan ser proyectados por la misma (piedras, cables, cristales, objetos de metal, etc.).
- Antes de utilizar la máquina, realizar un control visual para asegurarse que los deflectores, cuchillas y/o los hilos y sus fijaciones, no estén usados ni estropeados. Reemplazar las piezas usadas o estropeadas por un reparador autorizado (o un taller profesional) antes de una nueva utilización.
- Si la máquina está provista de un botón de parada del motor, mantener los cables eléctricos de parada del motor en buen estado de manera que se garantice la parada del motor. Verificar la ausencia de fugas de líquido (gasolina, aceite, etc.).
- Controlar el estado de la batería de forma periódica (si posee batería). Reemplazarla si el cárter, la tapa o las terminales están dañadas.
- No utilizar la máquina sin guardabarros o tapas de protección y asegurarse de que todos los dispositivos de fijación estén bien apretados.
- Evitar desbrozar cerca de lugares habitados, de paso o de estacionamiento.
- No utilizar la máquina en presencia de terceros.

Atención, peligro, la gasolina es sumamente inflamable:

- Almacenar el carburante en recipientes especialmente previstos a este efecto. Llenar el depósito únicamente en exteriores y no fumar al realizar esta operación.
- No retirar en ningún caso el tapón del depósito de gasolina ni añadir gasolina mientras que el motor esté funcionando o esté caliente.
- Si se derrama gasolina por el suelo, no intentar arrancar el motor, sino alejar la máquina de esta zona y evitar provocar inflamaciones hasta que se hayan disipado los vapores de gasolina.
- Depositar la máquina en un lugar seco. No depositar la máquina en ningún caso en un local donde los vapores de gasolina puedan alcanzar una llama, una chispa o una fuente fuerte de calor.
- Colocar correctamente en su sitio los tapones del depósito y del alimentador de gasolina.
- Limitar la cantidad de gasolina en el depósito para reducir al mínimo las salpicaduras.
- No poner en funcionamiento el motor en un lugar viciado donde puedan acumularse los vapores de monóxido de carbono.
- El monóxido de carbono puede ser mortal. Asegurar una buena ventilación.

Uso:

- Arrancar el motor con precaución, respetando las instrucciones del fabricante y manteniendo los pies alejados de la(s) herramienta(s).
- Una vez puesto en marcha el motor, el operador no debe levantar la máquina, y la misma sólo puede inclinarse cuando la cuchilla de corte se encuentra del lado opuesto al del operador.
- Detener el motor cuando la máquina no esté bajo vigilancia.
- Caminar con la máquina, pero no correr con ella en ningún caso.
- Tirar de la máquina hacia uno mismo o invertir el sentido de la marcha (en caso de que esta opción esté disponible) con mucha precaución.
- Conservar la distancia de seguridad en relación con las herramientas rotativas, en función de la longitud del manillar.
- No colocar las manos ni los pies cerca de los elementos en rotación o debajo de ellos.
- En caso de:
 - vibración anómala,
 - bloqueo,
 - problema de embrague,
 - choque con un objeto extraño,
 - deterioro del cable de parada del motor (según modelo),

Detener el motor inmediatamente (si el cable de parada del motor está cortado, accionar el mando del estérter, tal y como se describe en el § "arranque del motor" para detener el motor), dejar que la máquina se enfríe, desenchufar el cable de bujía, inspeccionar la máquina y ponerse en contacto con un reparador autorizado (o un taller profesional) para que efectúe las reparaciones necesarias antes de volver a utilizar la máquina.

- Trabajar únicamente con la luz del día o con una luz artificial de buena calidad.
- No utilizar la máquina en condiciones climáticas tempestuosas.
- No utilizar la máquina en pendientes con inclinaciones superiores al 20%.
- No desbrozar nunca tirando de la máquina hacia sí.
- Trabajar las pendientes en sentido transversal, nunca en ascenso o en descenso.
- No parar ni arrancar bruscamente en una pendiente. Ir más despacio en las pendientes y en las curvas cerradas para evitar cualquier balanceo o pérdida de control. Prestar especial atención en los cambios de dirección en las pendientes.
- En un terreno obstruido por la presencia de objetos o de restos naturales o traídos de otro lugar (rocas, troncos de árboles, restos metálicos, estacas, etc.): debe evitarse todo cuerpo extraño que pueda transformarse en proyectil peligroso o que pueda estropear la máquina.
- Atención a los riesgos de caída en terrenos inclinados y mojados.
- El uso de accesorios distintos de los recomendados puede hacer que la máquina sea peligrosa y ocasionar daños en la misma que no estarán cubiertos por la garantía.

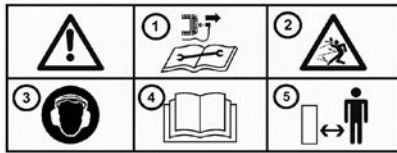
Inspección / Mantenimiento / Almacenaje / Desecho:

- Detener el motor y desconectar la bujía antes de realizar cualquier operación de control, limpieza, cambio de herramientas (cuchilla de corte y/o hilo), ajuste o mantenimiento de la máquina.
 - Detener el motor, desenchufar la bujía y utilizar guantes gruesos para cambiar la(s) herramienta(s).
 - Mantener todas las tuercas y los tornillos apretados con el fin de garantizar unas condiciones de uso seguras.
 - Para reducir los riesgos de incendio, mantener el motor, el silenciador y la zona de almacenamiento de gasolina libres de vegetación, exceso de grasa o cualquier otra materia susceptible de inflamarse.
 - Ponerse en contacto con un reparador autorizado (o un taller profesional) para que reemplace los silenciadores de escape defectuosos.
 - No reparar las piezas. Reemplazar las piezas por piezas originales. Hacer reemplazar por un reparador autorizado (o un taller profesional) antes de una nueva utilización.
 - Por su seguridad, no modificar las características de la máquina. No modificar los ajustes de regulación de velocidad del motor ni utilizar el motor a una velocidad excesiva. Es esencial realizar un mantenimiento regular para garantizar la seguridad y el mantenimiento del nivel de rendimiento.
 - Dejar que el motor se enfríe antes de guardar la máquina en un local.
- Todo desecho del aparato debe realizarse según la reglamentación en vigor en el país de uso.

Desplazamiento / Manipulación / Transporte:

- Toda acción en la máquina distinta del desbrozamiento debe efectuarse con las herramientas de corte desembragadas.
- El desplazamiento (aparte del realizado durante el desbrozamiento) debe efectuarse de acuerdo con las instrucciones del § "desplazamiento".
- Manipulación: no levantar la máquina solo. El peso de la máquina se indica en la placa de fabricante y al final de este manual. El mantenimiento debe realizarse como se describe en el § «mantenimiento».
 - La carga y la descarga de la máquina en un remolque debe efectuarse utilizando una rampa de carga adaptada.
 - Estibar correctamente la máquina para un transporte con total seguridad
 - El transporte debe efectuarse con el motor parado y la bujía desenchufada, utilizando un remolque. No utilizar ningún otro medio de transporte.

DEFINICIÓN DE LOS PICTOGRAMAS



- 1 – Desconectar la bujía antes de realizar cualquier trabajo de reparación
- 2 – Cuchilla giratoria: atención con las proyecciones
- 3 – Llevar un casco antirruído
- 4 – Leer el manual de uso
- 5 – Respete las distancias de seguridad



¡Peligro! Riesgos de seccionamiento
Cuchilla giratoria
No acercarse a la herramienta de corte

Motor de arranque
(según versión)



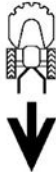
Fusible



Embrague de avance



Embrague de retroceso



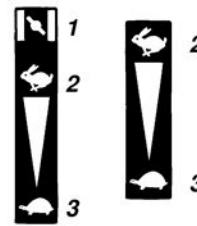
Reglaje de la altura de corte



Selección de la velocidad



Mando de gas
(según motorización)



- 1 - Estárter
- 2 - Rápido
- 3 - Lento



No tocar las partes calientes



Los gases de escape son peligrosos
No utilizar la máquina en un lugar mal ventilado



Apagar el motor antes de rellenar el depósito



Pictogramas presentes o no en función del modelo de la máquina

INFORMACIÓN TÉCNICA

| | | |
|--|--|--|
| Modelo de máquina | DB 551 | |
| Peso | 50 kg | Modelo de motor RV225-LE |
| Potencia neta * | 4.1 KW para un régimen motor de | 3600 rpm |
| Potencia nominal | 3.8 KW para un régimen motor nominal de | 3000 rpm |
| Nivel de potencia acústica garantizado | NF EN 12733: octubre 2018 | 99 dB(A) |
| Nivel de presión acústica en el puesto de conducción | | 86.4 dB(A) |
| | NF EN 12733: octubre 2018 | Incertidumbre de la medida 1 dB(A) |
| Nivel de potencia acústica medido | | 97.3 dB(A) |
| | NF EN 12733: octubre 2018 | Incertidumbre de la medida 1 dB(A) |
| Nivel de vibración en las manos del operador | | 7.5 m/s ² |
| | NF EN 12733: octubre 2018 | Incertidumbre de la medida 2 m/s ² |

* La potencia del motor indicada en este documento es una potencia neta obtenida mediante pruebas de un motor de serie según la norma SAE J 1349 a una velocidad de rotación determinada. La potencia de otro motor de producción puede ser diferente a la de este valor indicado. La potencia real de un motor instalado en una máquina dependerá de diferentes factores: la velocidad de rotación, las condiciones de temperatura, la humedad, la presión atmosférica, el mantenimiento, y otros.

Cumplimiento con los límites de emisiones de la UE - Fase V



ADVERTENCIA: cualquier alteración del motor anula la homologación de tipo UE de este producto

Nº de homologación: *E13 2016 1628 2017 656SYA1 P 0100 00*

CO² (g/Kw-hr): *870.70*

De conformidad con lo dispuesto en el artículo 43 2016/1628, el fabricante le proporciona el valor de CO₂ medido según lo determinado durante el proceso de homologación de tipo UE: esta medición de CO₂ es el resultado de las pruebas realizadas durante un período de prueba determinado bajo condiciones de laboratorio en un tipo representativo de motor (familia de motores) y no implica ni expresa garantía alguna sobre el rendimiento de un motor en particular.

ES

NOTA : de acuerdo con su política de mejora continua, el constructor no garantiza contractualmente la integridad de este manual y se reserva el derecho de modificar, sin previo aviso, las especificaciones de sus máquinas.

ES

Desembalaje

1.1



ATENCIÓN:

Un montaje inadecuado de esta máquina puede provocar graves lesiones
Asegúrese de seguir al pie de la letra todas las instrucciones



ATENCIÓN:

Procure no cortar los cables y no rayar la pintura de la máquina al cortar las aristas de la caja

| Rep. | Contenido de la caja |
|------|-----------------------------------|
| A | Deflector lateral |
| B | Bloque motor |
| C | Carpeta de documentos + tornillos |

Montaje del manillar

1.2

Gire el manillar evitando dañar los cables, colóquelo dentro de la máquina y fíjelo con los 2 pernos a la altura deseada

Montaje del deflector lateral

1.3

Fijación de los cables

1.4



← Rueda delantera fija o pivotante

1.5

A = Rueda delantera fija

B = Rueda delantera pivotante



← Placa de identificación de la máquina

1.6

- A – Nombre y dirección del fabricante
- B – Tipología de la máquina
- C – Número de serie
- D – Potencia nominal
- E – Masa en kilogramos
- F – Modelo de la máquina
- G – Identificación CE
- H – Año de fabricación
- I – Denominación comercial



← Descripción de los elementos

1.7

- 1 – Manija del gas *
- 2 – Palanca de embrague de avance
- 3 – Manija del freno de la cuchilla
- 4 – Palanca de reglaje de la altura de corte
- 5 – Cáster de corte
- 6 – Rueda delantera
- 7 – Deflector lateral
- 8 – Motor
- 9 – Cuerda de arranque con repliegue automático

* Según motorización

PUESTA EN MARCHA DE LA MÁQUINA



2.1

Llenado de aceite y comprobación de nivel



2.2

Llenado de gasolina

Súper, sin plomo o SP95 E 10



2.3

Bomba de arranque

- Si el motor está frío, presionar tres veces la bomba de arranque
- Si el motor está caliente, no presionar la bomba de arranque



2.4

Acelerador

Mover la palanca hacia:



2.5

Tirar del asa del lanzador



Una vez puesta en marcha la máquina, no moverse de la zona de seguridad

ES

UTILIZACIÓN

Esta máquina está pensada para: - cortar hierba

- operaciones de desbrozado ligero (diámetro máx. del corte: 15 mm)

Esta máquina no está destinada a usos profesionales



3.1

Marcha adelante



Respete una zona de seguridad de 40 m de radio alrededor de la máquina



3.3

Reglaje de la altura de corte

PARADA



4.1

← Parada de la marcha adelante

Soltar la manija de embrague



4.2

← Soltar la manija de embrague de la cuchilla



4.3

← Parada motor

Poner el mando del acelerador en 



4.4

← Limpiar el filtro de aire



4.5

← Limpiar el cárter del lanzador

CONTROLES HABITUALES

Antes de poner en marcha el motor, verifique los siguientes puntos: - Que no haya tornillos ni pernos flojos o rotos
- Que no haya escapes de carburante y de aceite del motor
- La seguridad del entorno



2.1

← Nivel de aceite motor limpio



2.2

← Nivel de carburante suficiente



4.4

← Comprobar la limpieza del filtro de aire



No utilizar disolventes inflamables para limpiar el elemento espumoso del filtro de aire

TRANSPORTE



5.1

← Transporte



Parar el motor
Dejar enfriar la máquina
Desconectar la bujía



5.2

← Puntos de estibo

AJUSTE DEL CABLE DEL EMBRAGUE



6.1

Si la máquina no avanza o avanza mal:

- 1- Parar la máquina y desconectar la bujía
- 2- Aflojar la tuerca del tensor del cable y retensar el cable
- 3- Volver a apretar la tuerca
- 4- Volver a conectar la bujía
- 5- Poner la máquina en marcha y volverlo a intentar. Si el problema persiste, contacte con su distribuidor

AFILADO DE LA CUCHILLA

Se aconsejable afilar y equilibrar su cuchilla cada 20 horas en un taller especializado

DISPOSIZIONI DI SICUREZZA

Prestare particolare attenzione alle indicazioni precedute dalle parole seguenti:



ATTENZIONE: segnala una forte probabilità di lesioni personali gravi o un pericolo mortale in caso di mancata osservanza delle istruzioni

PRECAUZIONE: segnala una possibilità di lesioni personali o deterioramento dell'apparecchiatura in caso di mancata osservanza delle istruzioni

NOTA: fornisce informazioni utili



Questo simbolo richiama alla prudenza durante determinate operazioni

In caso di problemi o per qualsiasi domanda relativa alla macchina, rivolgersi al rivenditore.



ATTENZIONE: la macchina è ideata per garantire un servizio sicuro e affidabile in condizioni di utilizzo conformi alle istruzioni. Prima di utilizzare la macchina, leggere e comprendere il contenuto di questo manuale. In caso contrario, esiste il rischio di lesioni e di danni all'apparecchiatura

Formazione / Informazioni:

- Informarsi sull'utilizzo corretto e sui comandi prima di utilizzare la macchina. Imparare ad arrestare il motore rapidamente.
- La macchina deve essere sempre utilizzata conformemente alle raccomandazioni indicate nel manuale di istruzioni.
- Non dimenticare che l'utente è responsabile di incidenti o eventi pericolosi che potrebbero interessare altre persone o i loro beni. È responsabilità dell'utente valutare i rischi potenziali del terreno da lavorare e prendere tutte le precauzioni necessarie per garantire la sicurezza, in particolare su terreni in pendenza, accidentati, scivolosi o mobili.
- Evitare sempre che bambini o persone che non conoscono queste istruzioni utilizzino la macchina. Le normative locali possono stabilire un'età minima per l'utente.
- Non utilizzare la macchina dopo aver assunto farmaci o sostanze che potrebbero compromettere la capacità di riflesso e vigilanza.
- Per utilizzare la macchina, indossare un equipaggiamento di protezione adeguato, in particolare stivali di sicurezza forestali conformi alla norma EN 345 - 2 SB E Classe 3, pantaloni lunghi, occhiali protettivi e cuffie anti-rumore.
- Utilizzare la macchina per l'impiego per il quale è stata concepita, vale a dire per lavori di decespugliatura. Qualsiasi altro utilizzo può rivelarsi pericoloso o comportare un deterioramento della macchina.

Preparazione:

- Ispezionare minuziosamente l'area sulla quale verrà utilizzata la macchina ed eliminare tutti gli oggetti che potrebbero essere lanciati dalla macchina (pietre, fili, vetro, oggetti di metallo, ecc.).
- Prima dell'uso, procedere sempre a un controllo visivo della macchina per accertarsi che i deflettori, le lame e/o flagelli così come i loro fissaggi non siano usurati né danneggiati. Far sostituire i pezzi usurati o danneggiati da un tecnico riparatore autorizzato (o da un laboratorio di assistenza qualificato) prima di ogni nuovo utilizzo.
- Se la macchina è dotata di un pulsante di spegnimento motore, mantenere i cavi elettrici del comando di spegnimento in buono stato in modo da garantire che il motore si spenga. Verificare l'assenza di perdite di liquidi (benzina, olio, ecc.)
- Controllare lo stato della batteria a intervalli regolari (se in dotazione). Sostituirla se l'alloggiamento, il coperchio o i terminali sono danneggiati.
- Non utilizzare la macchina senza parafango o calotte protettive e accertarsi che tutti i dispositivi di fissaggio siano correttamente serrati.
- Evitare di eseguire i lavori di decespugliatura in prossimità di luoghi abitati, aree di passaggio o di sosta.
- Non usare mai la macchina in presenza di terzi.

Attenzione – Pericolo: la benzina è altamente infiammabile:

- Conservare il carburante in appositi recipienti. Fare il pieno esclusivamente all'aperto e non fumare durante tale operazione.
- Non rimuovere il tappo del serbatoio di benzina né aggungere benzina mentre il motore è in funzione o quando è ancora caldo.
- In caso di versamento di benzina al suolo, non tentare di avviare il motore, ma allontanare la macchina da questa zona ed evitare di provocare combustioni fino a quando i vapori della benzina non si sono dissipati.
- Riporre la macchina in un luogo asciutto. Non riporre la macchina in un locale in cui i vapori della benzina potrebbero raggiungere una fiamma, una scintilla o una forte fonte di calore.
- Riposizionare correttamente i tappi del serbatoio di benzina.
- Limitare la quantità di benzina presente nel serbatoio per ridurre al minimo gli schizzi.
- Non lasciare in funzione il motore in un ambiente confinato in cui possono accumularsi vapori di monossido di carbonio.
- Il monossido di carbonio può essere letale. Garantire una buona aerazione.

Uso:

- Avviare il motore con cautela, rispettando le istruzioni del costruttore e tenendo i piedi lontani dagli attrezzi
- All'avvio del motore, l'operatore non deve sollevare la macchina e questa va inclinata soltanto quando la lama di taglio è rivolta verso il lato opposto a quello dell'operatore.
- Spegnerne il motore quando la macchina è senza sorveglianza
- Procedere lentamente, non correre con la macchina.
- Tirare la macchina verso di sé o invertire il senso di marcia (se possibile) con molta cautela.
- Mantenere la distanza di sicurezza rispetto agli attrezzi rotanti, fornita dalla lunghezza del manubrio.
- Non posizionare le mani o i piedi vicino o sotto gli elementi in rotazione.
- In caso di:
 - Vibrazione anomala
 - Blocco
 - Problema di frizione
 - Urto con un oggetto estraneo
 - Deterioramento del cavo di spegnimento motore (secondo il modello)

Spegnerne immediatamente il motore (se il cavo del motore è tagliato, azionare il comando dello starette come descritto nel paragrafo "Avvio motore" per spegnere il motore), lasciare raffreddare la macchina, scollegare il cavo della candela, ispezionare la macchina e far eseguire le riparazioni necessarie da un riparatore convenzionato (o da un laboratorio di assistenza qualificato) prima di qualsiasi nuovo utilizzo.

- Lavorare unicamente alla luce del giorno o con una luce artificiale di buona qualità.
- Non utilizzare la macchina in condizioni meteorologiche avverse.
- Non utilizzare la macchina su pendenze superiori al 20%.
- Non decespugliare mai tirando la macchina verso di sé.
- Lavorare sulle pendenze in senso trasversale, mai in salita o in discesa.
- Non fermarsi né avviare bruscamente quando ci si trova su una pendenza. Rallentare sulle pendenze e nelle curve strette per evitare oscillazioni o di perdere il controllo. Prestare particolare attenzione durante i cambi di direzione sulle pendenze.
- Su un terreno ingombro da oggetti o detriti naturali o che vi sono stati depositati (massi, ceppi d'albero, rottami metallici, paletti, ecc.): va evitato qualsiasi corpo estraneo che può diventare un proiettile pericoloso e/o rovinare la macchina.
- Su terreni in pendenza e bagnati fare attenzione ai rischi di caduta.
- L'uso di accessori diversi da quelli raccomandati può rendere pericolosa la macchina, e provocare danni alla macchina che non saranno coperti dalla garanzia.

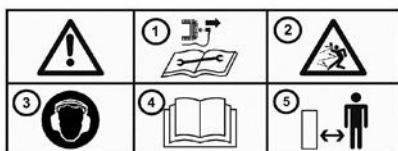
Ispezione / Manutenzione / Stoccaggio / Smaltimento:

- Spegnerne il motore e scollegare la candela prima di ogni operazione di pulizia, di controllo, di cambio degli attrezzi (lame di taglio e/o flagelli), di regolazione o di manutenzione della macchina.
- Spegnerne il motore, scollegare la candela e sostituire gli attrezzi utilizzando guanti spessi.
- Lasciare serrati tutti i dadi e le viti per garantire condizioni di utilizzo sicure.
- Per ridurre il rischio d'incendio, accertarsi che il motore, il silenziatore e la zona di stoccaggio della benzina siano privi di vegetali, grasso in eccesso o qualsiasi altro materiale infiammabile.
- Affidare a un tecnico autorizzato (o a un laboratorio di assistenza qualificato) la sostituzione dei silenziatori di scarico difettosi.
- Non riparare i componenti. Far sostituire i componenti con pezzi originali. Far eseguire le sostituzioni da un tecnico autorizzato (o da un laboratorio di assistenza qualificato) prima di ogni nuovo utilizzo.
- Per motivi di sicurezza non modificare le caratteristiche della macchina. Non modificare i valori di regolazione della velocità del motore e non utilizzare il motore a una velocità eccessiva. Una manutenzione regolare è fondamentale per la sicurezza e il mantenimento del livello di prestazioni.
- Lasciar raffreddare il motore prima di riporre la macchina in un locale.
- Lo smaltimento dell'apparecchio deve avvenire conformemente alle normative vigenti nel Paese di utilizzo.

Spostamento / Movimentazione / Trasporto:

- Qualsiasi intervento sulla macchina quando non si decespuglia va effettuato dopo aver smontato gli strumenti di taglio.
- Lo spostamento (quando non si decespuglia) deve avvenire secondo le istruzioni del paragrafo "spostamento".
- Movimentazione: non sollevare la macchina da soli. Il peso della macchina è indicato sulla targa del costruttore e nel presente manuale. La movimentazione va effettuata come descritto nel paragrafo "movimentazione".
- Il carico e lo scarico della macchina in un rimorchio devono essere eseguiti con l'ausilio di una rampe di carico adeguata.
- Sistemare correttamente la macchina per un trasporto in assoluta sicurezza.
- Il trasporto deve essere eseguito con il motore spento e la candela scollegata, con l'ausilio di un rimorchio. Non utilizzare altri mezzi di trasporto.

DEFINIZIONE DEI PITTOGRAMMI



- 1 – Scollegare la candela prima di eseguire manutenzione e riparazioni
- 2 – Attenzione ai detriti proiettati dalla lama rotante
- 3 – Indossare cuffie antirumore
- 4 – Leggere il manuale di istruzioni
- 5 – Mantenere le distanze di sicurezza



Pericolo! Rischio di amputazione
Lama in rotazione
Non avvicinarsi allo strumento di taglio

Sistema di avviamento
(secondo la versione)



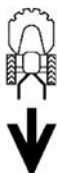
Isolamento del circuito



Innesto di avanzamento



Innesto retromarcia



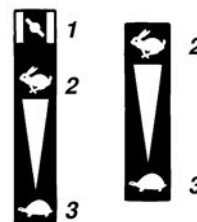
Regolazione dell'altezza di taglio



Selezione della velocità di marcia



Comando gas
(secondo la motorizzazione)



- 1 - Starter
- 2 - Veloce
- 3 - Lento



Non toccare superfici calde



I gas di scarico sono pericolosi
Non utilizzare in un luogo
non areato correttamente



Spegnere il motore prima di rifare il pieno



Pittogrammi presenti o assenti a seconda del modello della macchina

INFORMAZIONI TECNICHE

| | | | |
|---|---------------------------------------|-----------------------------|---------------------------|
| Modello macchina | DB 551 | | |
| Peso | 50 kg | Modello motore | RV225-LE |
| Potenza netta * | 4.1 KW per un regime motore di | 3600 rpm | |
| Potenza nominale | 3.8 KW per un regime motore di | 3000 rpm | |
| Livello di potenza sonora garantita | <i>NF EN 12733: octobre 2018</i> | 99 dB(A) | |
| Livello di pressione sonora al posto di guida | | 86.4 dB(A) | |
| | <i>NF EN 12733: octobre 2018</i> | Incertezza di misura | 1 dB(A) |
| Livello di potenza sonora misurata | | 97.3 dB(A) | |
| | <i>NF EN 12733: octobre 2018</i> | Incertezza di misura | 1 dB(A) |
| Livello delle vibrazioni alle mani dell'operatore | | 7.5 m/s ² | |
| | <i>NF EN 12733: octobre 2018</i> | Incertezza di misura | 2 m/s ² |

* La potenza del motore indicata in questo documento è una potenza netta ottenuta mediante test di un motore della serie secondo la norma SAE J 1349 a una data velocità di rotazione. La potenza di un altro motore della produzione può essere diversa dal valore qui indicato. La potenza reale di un motore installato su una macchina dipende da vari fattori come la velocità di rotazione, le condizioni di temperatura, di umidità, di pressione atmosferica, di manutenzione e altre.

Conformità emissioni secondo normativa UE – Fase V



ATTENZIONE: qualsiasi modifica del motore annulla l'omologazione UE di questo prodotto

N° di omologazione: *E13 2016 1628 2017 656SYA1 P 0100 00*


CO₂ (g/Kw-h): *870.70*


Conformemente alle disposizioni dell'Art. 43 2016/1628, il costruttore mette a vostra disposizione il valore di CO₂ misurato, come determinato durante la procedura di omologazione UE: tale misurazione di CO₂ è il risultato di test effettuati su un ciclo di prova determinato in condizioni di laboratorio su un esemplare rappresentativo del tipo di motore (famiglia di motori) e non implica né esprime alcuna garanzia delle prestazioni di un particolare motore.

NOTA: al fine di un miglioramento permanente, il costruttore precisa che l'intero manuale non è contrattuale e si riserva il diritto di modificare senza preavviso le specifiche delle proprie macchine

Disimballaggio

1.1

 **ATTENZIONE:**
un montaggio inadeguato della macchina può causare gravi ferite
Assicurarsi di seguire attentamente tutte le istruzioni

 **ATTENZIONE:**
prestare attenzione a non tranciare i cavi o a rigare la vernice della macchina tagliando i bordi della cassa

| Rif. | Contenuto della cassa |
|------|-----------------------------|
| A | Deflettore laterale |
| B | Blocco motore |
| C | Busta con istruzioni + viti |

Montaggio del manubrio

1.2

Girare il manubrio evitando di danneggiare i cavi, posizionarlo all'interno della macchina e fissarlo con 2 bulloni all'altezza desiderata

Montaggio del deflettore laterale

1.3

Fissaggio dei cavi

1.4

Ruota anteriore fissa o piroettante

1.5

A = Ruota anteriore fissa

B = Ruota anteriore piroettante

Piastrina di identificazione della macchina

1.6

A – Nome e indirizzo del costruttore

B – Tipo di macchina

C – Numero di serie

D – Potenza nominale

E – Massa in kg

F – Modello della macchina

G – Identificativo CE

H – Anno di produzione

I – Designazione commerciale

Descrizione degli elementi

1.7

1 – Leva gas *

2 – Leva di innesto avanzamento

3 – Leva del freno della lama

4 – Leva di regolazione altezza di taglio

5 – Scatola di isolamento

6 – Ruota anteriore

7 – Deflettore laterale

8 – Motore

9 – Cavo di avviamento a riavvolgimento automatico

* Secondo la motorizzazione

AVVIO DELLA MACCHINA



2.1

← Pieno d'olio e livello



2.2

← Pieno di benzina

Super o senza piombo o SP95 E 10



2.3

← Pompa di innesco

- Se il motore è freddo: premere 3 volte sulla pompa di innesco
- Se il motore è caldo: non premere sulla pompa di innesco



2.4

← Acceleratore

Posizionare la leva verso: 



2.5

← Tirare la leva di avviamento



Durante l'avvio della macchina, restare sempre nella zona di sicurezza

IT

USO

Questa macchina è destinata: - al taglio dell'erba
- al decesugliamento leggero (diametro massimo di taglio: 15 mm)

Questa macchina non è destinata all'uso professionale



3.1

← Marcia avanti



Mantenere un'area di sicurezza di 40 m di raggio attorno alla macchina



3.2

← Regolazione dell'altezza di taglio

ARRESTO

← Arresto della marcia in avanti

4.1 Rilasciare la maniglia della frizione

← Rilasciare la leva della frizione della lama

4.2

← Arresto motore

4.3 Posizionare il comando dell'acceleratore su 

← Pulire il filtro dell'aria

4.4

← Pulire il carter di avviamento

4.5

IT

CONTROLLI QUOTIDIANI

Prima di avviare il motore, verificare i punti seguenti: - Assenza di bulloni e dadi svitati o rotti
- Assenza di perdite di benzina e olio motore
- Sicurezza dell'ambiente

← Livello dell'olio motore pulito

2.1

← Livello di benzina sufficiente

2.2

← Pulizia della cartuccia del filtro dell'aria

4.4



Non utilizzare solventi infiammabili per pulire l'elemento in espanso del filtro dell'aria

SPOSTAMENTO

← Spostamento

5.1




Spegnere il motore
Lasciar raffreddare la macchina
Scollegare la candela

← Punti di sistemazione

5.2

REGOLAZIONE DEL CAVO DI INNESTO

 Se la macchina non avanza o avanza a fatica:

- 6.1
- 1- Arrestare la macchina e scollegare la candela
 - 2- Sbloccare il dado del tenditore del cavo e ritendere il cavo
 - 3- Ribloccare il dado
 - 4- Ricollegare la candela
 - 5- Avviare la macchina e riprovare. Se il problema persiste, contattare il proprio rivenditore

AFFILATURA DELLA LAMA

Si consiglia di far affilare ed equilibrare la lama ogni 20 ore di utilizzo da un laboratorio qualificato

VEILIGHEIDSINSTRUCTIES

Schenk bijzondere aandacht aan de aanwijzingen die worden voorafgegaan door de volgende vermeldingen:



OPGELET: geeft aan dat de kans op ernstige lichamelijke letsels groot is, en zelfs dat er sprake is van gevaar voor overlijden, als de instructies niet in acht worden genomen

VOORZORGSMAATREGEL: geeft aan dat er een kans op lichamelijke letsels of beschadiging van de uitrusting bestaat, als de instructies niet in acht worden genomen

OPMERKING: verstrekt nuttige informatie



Dit teken maant u aan om voorzichtig te zijn tijdens bepaalde werkzaamheden

Neem bij problemen of voor vragen over de machine contact op met uw detailhandelaar.



OPGELET: de machine werd ontworpen om veilig en betrouwbaar te werken in gebruiksomstandigheden die in overeenstemming zijn met de instructies. Voordat u uw machine gebruikt, moet u de inhoud van deze handleiding lezen en opnemen. Doet u dat niet, dan kunt u gewond raken en kan de uitrusting schade oplopen

Opleiding / Voorlichting:

- Maak u vertrouwd met het juiste gebruik en de bedieningselementen, voordat u de machine gebruikt. Leer de motor snel stilleggen.
- De machine moet altijd worden gebruikt overeenkomstig de aanbevelingen in de instructiehandleiding.
- Denk eraan dat de gebruiker verantwoordelijk is voor ongevallen of gevaarlijke fenomenen waarbij andere personen of hun goederen betrokken zijn. De gebruiker is verantwoordelijk voor het juiste inschatten van de potentiële risico's van het te bewerken terrein en moet derhalve alle nodige voorzorgen nemen om zijn veiligheid te verzekeren, in het bijzonder hellingen, onregelmatige grond, glibberige grond of losse grond.
- Laat kinderen of personen die deze instructies niet kennen, de machine nooit gebruiken. In de plaatselijke voorschriften kan een minimumleeftijd voor de gebruiker bepaald zijn.
- Gebruik de machine niet na het innemen van geneesmiddelen of stoffen die ervoor bekendstaan het reactievermogen en de oplettendheid te doen afnemen.
- Om de machine te gebruiken dient u gepaste beschermingsmiddelen te gebruiken, in het bijzonder veiligheidslaarzen voor bosbouw conform de norm EN 345 - 2 SB E Klasse 3, een lange broek-, een veiligheidsbril en een geluidwerende helm.
- Gebruik de machine voor de oorspronkelijke bestemming, te weten het bewerken van de bodem. Elk ander gebruik kan gevaarlijk blijken te zijn of de machine beschadigen.

Vorbereiding:

- Inspecteer zorgvuldig het terrein waarop de machine gebruikt moet worden en verwijder alle voorwerpen die door de machine zouden kunnen weggeslingerd (steentjes, draad, glas, metalen voorwerpen, enz...).
- Voor elk gebruik, altijd een visuele inspectie van de machine uitvoeren en controleren of de messen en/of vlegels niet versleten of beschadigd zijn. Laat alle beschadigde of versleten onderdelen door een erkende reparateur (of een professionele werkplaats) herstellen voor ieder nieuw gebruik.
- Als de machine is uitgerust met een stopknop, is het noodzakelijk om de elektrische kabels voor het stilleggen van de motor in goede staat te houden om een eventuele noodstop te garanderen.
- Ga na of er geen vloeistof lekt (benzine, olie, enz...)
- Controleer regelmatig de toestand van de accu (indien aanwezig). Vervang deze indien de bak, de deksel of de klemmen beschadigd zijn.
- Gebruik de machine niet zonder spatborden of beschermkappen en vergewis u ervan dat alle vastzetinrichtingen goed vastzitten.

- Vermijd om struikgewas te verwijderen in de nabijheid van bebouwde plaatsen, en doorgang- of parkeerbzones.
- De machine nooit gebruiken bij aanwezigheid van derden.

Opgelet - Gevaar: benzine is licht ontvlambaar:

- De brandstof opslagen in daarvoor speciaal voorziene reservoirs. De benzinetank uitsluitend buiten bijvullen en daarbij nooit roken.
- Verwijder nooit de dop van de benzinetank of voeg nooit benzine toe terwijl de motor draait of zolang de motor warm is.
- Is er benzine gemorst op de grond, probeer de motor dan niet te starten maar haal de machine weg uit die zone en probeer geen ontbranding te veroorzaken zolang de benzinedampen niet zijn opgetrokken.
- Sla de machine op een droge plaats op. Sla de machine nooit op in een ruimte waar de benzinedampen een vlam, een vonk of een sterke warmtebron zouden kunnen bereiken.
- De doppen van de brandstoftank correct vastdraaien.
- Beperk de hoeveelheid benzine in de tank om spatten tot een minimum te beperken.
- Laat de motor niet draaien in een afgesloten plaats waar de koolstofmonoxidedampen zich kunnen opstapelen.
- Koolstofmonoxide kan dodelijk zijn. Zorg voor een goede ventilatie.

Gebruik:

- Start de motor voorzichtig volgens de instructies van de fabrikant, terwijl u uw voeten uit de buurt van (het) gereedschap(pen) houdt.
- Als de motor start mag de operator de machine niet heffen. Ook mag de machine niet schuin worden gehouden als de snijkant van het mes aan de tegenovergestelde kant is ten opzichte van de operator.
- Leg de motor stil wanneer de machine onbewaakt is.
- Stap met de machine, nooit rennen.
- Trek de machine heel voorzichtig naar u toe of draai heel voorzichtig de bewegingsrichting om (indien beschikbaar).
- Respecteer de veiligheidsafstand ten opzichte van de draaiende gereedschappen, die word aangegeven door de lengte van het stuur.
- Plaats uw handen of uw voeten niet vlak bij of onder draaiende elementen.
- In geval van:
 - abnormale trillingen,
 - blokkering,
 - probleem met de koppeling,
 - botsing met een vreemd voorwerp,
 - beschadiging van de kabel voor het stilleggen van de motor (volgens model),

De motor onmiddellijk stilzetten (als de motorkabel doorgesneden is, de bediening van de starter inschakelen zoals aangeduid in de § "motor starten" om de motor stil te zetten), de machine laten afkoelen, de draad van de bougie ontkoppelen, de machine controleren en pas opnieuw gebruiken nadat de noodzakelijke reparaties door een erkende reparateur (of een professionele werkplaats) uitgevoerd zijn

- Uitsluitend bij daglicht werken of bij een kunstlicht van goede kwaliteit.
- De machine nooit in geval van onweer gebruiken.
- De machine niet gebruiken bij hellingen steiler dan 20%.
- De machine nooit bedienen door ze naar u toe te trekken.
- Werk dwars op de hellingen, nooit naar boven of naar beneden.
- Nooit abrupt stoppen of starten als u zich op een helling bevindt. Op hellingen of in sterke bochten dient u te vertragen om de controle niet te verliezen of om niet om te slagen. Op hellingen dient u bijzonder voorzichtig te zijn als u van richting verandert.
- Op een terrein bezaaid met voorwerpen of natuurlijke of veroorzaakte afval (stenen, boomstronken, metalen afvalstukken, paaltjes, enz...): elk vreemd voorwerp kan een gevaarlijk projectiel worden en/of de machine beschadigen en moet derhalve vermeden worden.
- Pas op voor het vallen op hellende of natte bodems.
- Accessoires gebruiken die niet zijn aanbevolen, kan de machine gevaarlijk maken en aan uw machine schade toebrengen die niet zal worden gedekt door uw garantie.

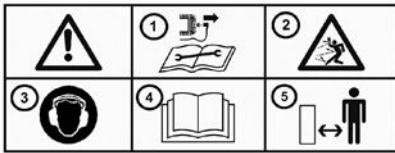
Inspectie / Serviceonderhoud / Opslag / Afdanking:

- De motor stilleggen en de bougie ontkoppelen voordat u begint met het inspecteren, schoonmaken of vervangen van een of meer gereedschappen (messen en/of vlegels), afstellen of onderhouden van de machine.
- Leg de motor stil, ontkoppel de bougie en gebruik dikke handschoenen om (het) (de) gereedschap(pen) te vervangen.
- Zorg ervoor dat alle moeren en schroeven altijd goed vastzitten, om veilige gebruiksomstandigheden te garanderen.
- Om brandrisico te voorkomen, moet u de motor, de geluiddemper en de opslagzone voor de benzine vrijhouden van plantenresten, overtalig vet, of elke andere ontvlambare stof of voorwerp.
- Indien defect, laat de geluiddemper van de uitlaat door een erkende reparateur (of een professionele werkplaats) vervangen.
- Repareer de onderdelen niet. Laat ze vervangen door originele onderdelen. Laat alle beschadigde of versleten onderdelen door een erkende reparateur (of een professionele werkplaats) herstellen voor ieder nieuw gebruik.
- Wijzig de kenmerken van uw machine niet voor uw eigen veiligheid. Wijzig de instellingen van het motortoerental niet en laat de motor niet draaien met een te hoog toerental. Het is van fundamenteel belang voor de veiligheid en het behoud van het prestatieniveau om de machine regelmatig te onderhouden.
- Laat de motor afkoelen voordat u de machine in een ruimte opbergt.
- Het apparaat moet afgedankt worden volgens de in het land van gebruik geldende regelgeving.

Verplaatsing / Behandeling / Transport:

- Elke actie op de machine buiten het ontginnen moet uitgevoerd worden als de gereedschappen voor het maaien veilig losgekoppeld zijn.
- Het verplaatsen van de machine (buiten het ontginnen) moet uitgevoerd worden volgens de instructies van de § "verplaatsing"
- Behandeling: hef de machine niet alleen op. Het gewicht van de machine staat aangeduid op het kenplaatje en in deze handleiding. Het hanteren wordt uitgevoerd zoals omschreven in de § "hantering".
- Het laden en lossen van de machine in een aanhangwagen moet gebeuren aan de hand van een aangepaste laadbrug.
- Zet de machine correct vast voor een transport in alle veiligheid.
- Het transport dient met een aanhangwagen te gebeuren en met een stilgelegde motor en een losgekoppelde bougie. Gebruik geen andere transportmiddelen.

DEFINITIE VAN DE PICTOGRAMMEN



- 1 – De bougie losmaken alvorens de reparatiewerkzaamheden uit te voeren
- 2 – Roterend mes: opgepast voor projecties
- 3 – Draag een geluidwerende helm
- 4 – Lees de gebruikshandleiding
- 5 – Respecteer de veiligheidsafstanden



Gevaar! Risico van amputatie
 Roterend mes
 Blijf uit de buurt van het maaiereedschap

Startmotor
 (overeenkomstig uitvoering)



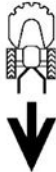
Hoofdschakelaar



Versnelling vooruit



Achteruitversnelling



Regeling maaihoogte



Regeling maaihoogte



Gasbediening
 (volgens aandrijving)



- 1 - Choke
- 2 - Snel
- 3 - Traag



Raak de hete oppervlakken niet aan



De uitlaatgassen zijn gevaarlijk
 Niet gebruiken in een onvoldoende
 geventileerde ruimte



De motor stilleggen vooraleer vol te tanken

NL



Pictogrammen al dan niet aanwezig volgens het machinemodel

TECHNISCHE GEGEVENS

| | | | |
|---|---------------------------|---|---|
| Machinemodel | DB 551 | | |
| Gewicht | 50 | kg | Motormodel RV225-LE |
| Nettovermogen * | 4.1 | KW voor een motortoerental van | 3600 rpm |
| Nominaal vermogen | 3.8 | KW voor een nominaal motortoerental van | 3000 rpm |
| Gegarandeerd geluidsvermogensniveau | NF EN 12733: octobre 2018 | | 99 dB(A) |
| Geluidsdrumniveau in de bestuurdersruimte | | | 86.4 dB(A) |
| | NF EN 12733: octobre 2018 | | Meetonzekerheid 1 dB(A) |
| Gemeten geluidsvermogensniveau | | | 97.3 dB(A) |
| | NF EN 12733: octobre 2018 | | Meetonzekerheid 1 dB(A) |
| Sterkte van de trillingen aan de handen van de bestuurder | | | 7.5 m/s ² |
| | NF EN 12733: octobre 2018 | | Meetonzekerheid 2 m/s ² |

* Het in dit document vermelde vermogen van de motor is een nettovermogen dat wordt verkregen door een seriemotor te testen volgens de norm SAE J 1349 bij een bepaalde draaisnelheid. Het vermogen van een andere productiemotor kan verschillen van die vermelde waarde. Het reële vermogen van een motor die is geïnstalleerd op een machine, zal afhangen van verschillende factoren zoals de draaisnelheid, de temperaturomstandigheden, de vochtigheidsomstandigheden, de luchtdrukomstandigheden, de onderhoudsomstandigheden en andere.

Conformiteit emissie EU – Fase V



OPGELET: iedere verandering aan de motor annuleert de EU typegoedkeuring van dit product

Goedkeuringsnr.: *E13 2016 1628 2017 656SYA1 P 0100 00*

CO₂ (g/Kw-hr): *870.70*

In overeenstemming met de bepalingen van artikel 43 2016/1628 stelt de fabrikant u de waarde ter beschikking van de gemeten CO₂ zoals deze bepaald is tijdens het EU-typekeuringsproces: deze CO₂ meting is het resultaat van tests, uitgevoerd op een bepaalde testcyclus onder laboratoriumomstandigheden op een representatief exemplaar van het motortype (motorfamilie) en mag geen enkele prestatiegarantie van een motor in het bijzonder inhouden of uitdrukken.

OPMERKING: in een voortdurend streven naar verbetering benadrukt de fabrikant dat deze handleiding in haar geheel niet contractueel is, en behoudt de fabrikant zich het recht voor om de specificaties van de machines onaangekondigd te wijzigen

Uitpakken

1.1



LET OP:

Deze machine verkeerd assembleren kan ernstige verwondingen tot gevolg hebben
Zorg ervoor dat u alle instructies zorgvuldig in acht neemt



OPGELET:

Zorgen dat u de kabels niet doorsnijdt of de verf van de machine niet beschadigt wanneer u de doos opensnijdt

| Nr. | Inhoud van de doos |
|-----|-----------------------------|
| A | Laterale deflector |
| B | Motorblok |
| C | Etui documenten + schroeven |

Montage van het stuur

1.2

Het stuur omkeren zonder de kabels te beschadigen, dit in de machine plaatsen en met de 2 bouten op de gewenste hoogte vastzetten

Montage van de laterale deflector

1.3

Bevestiging van de kabels

1.4



Vast zwenkend voorwiel

1.5

A = Vast voorwiel

B = Draaiend voorwiel



Kenplaatje van de machine

1.6

A – Naam en adres van de fabrikant

B – Type van de machine

C – Serienummer

D – Nominaal vermogen

E – Massa in kilogram

F – Model van de machine

G – CE-identificatie

H – Bouwjaar

I – Handelsnaam



Beschrijving van de elementen

1.7

1 – Gashendel *

2 – Vooruitversnelling

3 – Handgreep rem van mes

4 – Hendel voor instelling maaihoogte

5 – Maicarter

6 – Voorwiel

7 – Laterale deflector

8 – Motor


9 – Starter snoer met automatische oprolfunctie

* Overeenkomstig motoruitvoering


MACHINE STARTEN

 ← **Vullen met olie en het peil controleren**
2.1

 ← **Vullen met benzine**
2.2
Super of loodvrij of SP95 E 10

 ← **Aanjaagpomp**
2.3

- Als de motor koud is, druk dan 3 keer op de pomp
- Als de motor warm is, hoeft u niet op de aanjaagpomp te drukken

 ← **Versnelling**
2.4

Zet de hendel op: 

 ← **Trek aan de handgreep van de trekstarter**
2.5

 **Blijf altijd in de veilige zone tijdens het starten van de machine**

NL


GEBRUIK

Deze machine is bestemd voor:

- het maaien van gras
- het verwijderen van licht struikgewas (max. maaidiameter: 15 mm)

Deze machine is niet bestemd voor professioneel gebruik

 ← **Vooruitrijden**
3.1

 **Neem een veiligheidszone met een straal van 40 m rond de machine in acht**

 ← **Regeling maaihoogte**
3.2

UITSCHAKELING



4.1

Uitschakeling versnelling vooruit

Laat de koppelingshendel los



4.2

De koppelingshendel van het mes loslaten



4.3

Uitschakeling motor

De bediening van het gaspedaal zetten op



4.4

De luchtfilter reinigen



4.5

Het carter van de trekstarter reinigen

NL

DAGELIJKE CONTROLES

Controleer de volgende punten, voordat u de motor start:

- Afwezigheid van loszittende of kapotte bouten en moeren
- Afwezigheid van benzine- en motorolielekken
- Veiligheid van de omgeving



2.1

Geschikt motoroliepeil



2.2

Toereikend benzinepeil



4.4

Netheid van het luchtfilterelement



Gebruik geen ontvlambaar oplosmiddel om het element in schuimplastic van de luchtfilter te reinigen

VERPLAATSING



5.1

Verplaatsing



De motor stoppen
Laat de machine afkoelen
Koppel de bougie los



5.2

Bevestigingspunten

AFSTELLING VAN DE KOPPELINGSKABEL



6.1

Als de machine niet of slecht vooruit komt:

- 1- Leg de machine stil en koppel de bougie los
- 2- Draai de moer van de spanner van de kabel los en span de kabel opnieuw
- 3- Zet de moer weer vast
- 4- Sluit de bougie weer aan
- 5- Start de machine en probeer opnieuw. Houdt het probleem aan, neem dan contact op met de verkoper

HET MES SLIJPEN

Het is aan te raden het mes iedere 20 uur door een vakman te laten slijpen en uitbalanceren

EC declaration of conformity

I, the undersigned (13) (2) hereby declare that the machine described below conforms to the provisions of the Directives (7)
Description: Motor mower; Manufacturer (1); Model (4)
Type (5); Commercial name (6); Serial number (15)
Person authorised to constitute the technical file (3)
References to harmonised standards (8)
Guaranteed acoustic power level (9)
Measured acoustic power level (10)
Signed in (11); Date (12); Signatory (13); Signature (14)

See serial No. (15) on last page

Déclaration CE de conformité

Je, soussigné (13) (2) déclare par la présente que la machine décrite ci-dessous est conforme aux dispositions des Directives (7)
Description : Motofaucheuse ; Fabricant (1) ; Modèle (4)
Type (5) ; Nom commercial (6) ; Numéro de série (15)
Personne autorisée à constituer le dossier technique (3)
Références aux normes harmonisées (8)
Niveau de puissance acoustique garantie (9)
Niveau de puissance acoustique mesurée (10)
Fait à (11) ; Date (12) ; Signataire (13) ; Signature (14)

Voir n° de série (15) en dernière page

Dichiarazione di conformità CE

Io sottoscritto (13) (2) dichiaro con la presente che la macchina descritta qui sotto è conforme alle disposizioni delle Direttive (7)
Descrizione: Motofalciatrice; Produttore (1); Modello (4)
Tipo (5); Nome commerciale (6); Numero di serie (15)
Persona autorizzata a redigere il fascicolo tecnico (3)
Riferimento alle norme armonizzate (8)
Livello di potenza sonora garantita (9)
Livello di potenza sonora misurata (10)
Redatto a (11); Data (12); Firmatario (13); Firma (14)

Vedere n. di serie (15) all'ultima pagina

EG-Konformitätserklärung

Ich, der Unterzeichner (13) (2), erkläre hiermit, dass die nachstehend beschriebene Maschine den Anforderungen der Maschinenrichtlinien (7) entspricht
Beschreibung: Motormäher; Hersteller (1); Modell (4)
Typ (5); Handelsname (6); Seriennummer (15)
Für die Erstellung der technischen Unterlagen berechnete Person (3)
Bezugnahme auf die harmonisierten Normen (8)
Garantierter Schallleistungspegel (9)
Gemessener Schallleistungspegel (10)
Ausgestellt am (11), Datum (12), Unterzeichner (13), Unterschrift (14)

Siehe Seriennummer (15) auf der letzten Seite

Declaración CE de conformidad

Yo, el abajo firmante (13) (2), declaro por la presente que la máquina aquí descrita cumple con las disposiciones de la Directiva de Máquinas (7)
Descripción: Motosegadora; Fabricante (1); Modelo (4)
Tipo (5); Nombre comercial (6); Número de serie (15)
Persona autorizada a constituir el expediente técnico (3)
Referencias a las normas armonizadas (8)
Nivel de potencia acústica garantizado (9)
Nivel de potencia acústica medida (10)
Hecho en (11); Fecha (12); Firmante (13); Firma (14)

El n° de serie (15) se encuentra en la última página

EG-verklaring van overeenstemming

Ik ondergetekende (13) (2) verklaar hierbij dat de hieronder beschreven machine in overeenstemming is met de bepalingen van de richtlijnen (7)
Beschrijving: Motormaaier; fabrikant (1); model (4)
Type (5); handelsnaam (6); serienummer (15)
Persoon die bevoegd is om het technische dossier samen te stellen (3)
Verwijzingen naar de geharmoniseerde normen (8)
Gegarandeerd geluidsvermogensniveau (9)
Gemeten geluidsvermogensniveau (10)
Opgemaakt te (11); datum (12); ondertekenaar (13); handtekening (14)

Zie serienr. (15) op de laatste pagina

1. Husqvarna AB

2. Husqvarna AB
Drottninggatan
56182 HUSKVARNA - SWEDEN

3. Husqvarna AB
Drottninggatan
56182 HUSKVARNA - SWEDEN

4. 4000**09**

5. RV225

6. DB 551

7. 2006/42/CE: mai 2006

RoHS – 2011/65 CE : juin 2011

2014/30/CE: février 2014

2016/1628/CE : septembre 2016

8. EN 12733: octobre 2018

EN ISO 14982:2009

EN IEC 63000:2018

9.N/A

10.N/A

11. HUSKVARNA - SWEDEN

12. 2024-09-06

13. Claes LOSDAL

14.





Declaration of Conformity

We, Husqvarna AB, SE 561 82 Huskvarna, SWEDEN, Tel.+46 36 146500 declare on our sole responsibility that the product :

| | |
|------------------------|---|
| Description | Petrol engine motor mower |
| Brand | HUSQVARNA |
| Commercial name | DB 551 |
| Type / Model | 4000XX09XX |
| Identification | Serial numbers dating from 2022 and onwards |

complies fully with the following UK regulations:

| |
|--|
| Description |
| The Restriction of the Use of Certain Hazardous Substances in Electrical and Electronic Equipment Regulations 2012 |
| The Supply of Machinery (Safety) Regulations 2008 |
| Electromagnetic Compatibility Regulations 2016 |

and that the following standards and/or technical specifications are applied:

EN 12733: octobre 2018
EN ISO 14982:2009
EN IEC 63000:2018

Huskvarna, 2022-09-15

Claes Losdal
Development Manager/Garden products
Husqvarna AB

Responsible for technical documentation

UK Importer:
Husqvarna UK Ltd
Preston Road, Co. Durham
DL5 6UP

www.husqvarna.com

(15)



Adresses sur quefairedemesdechets.fr

