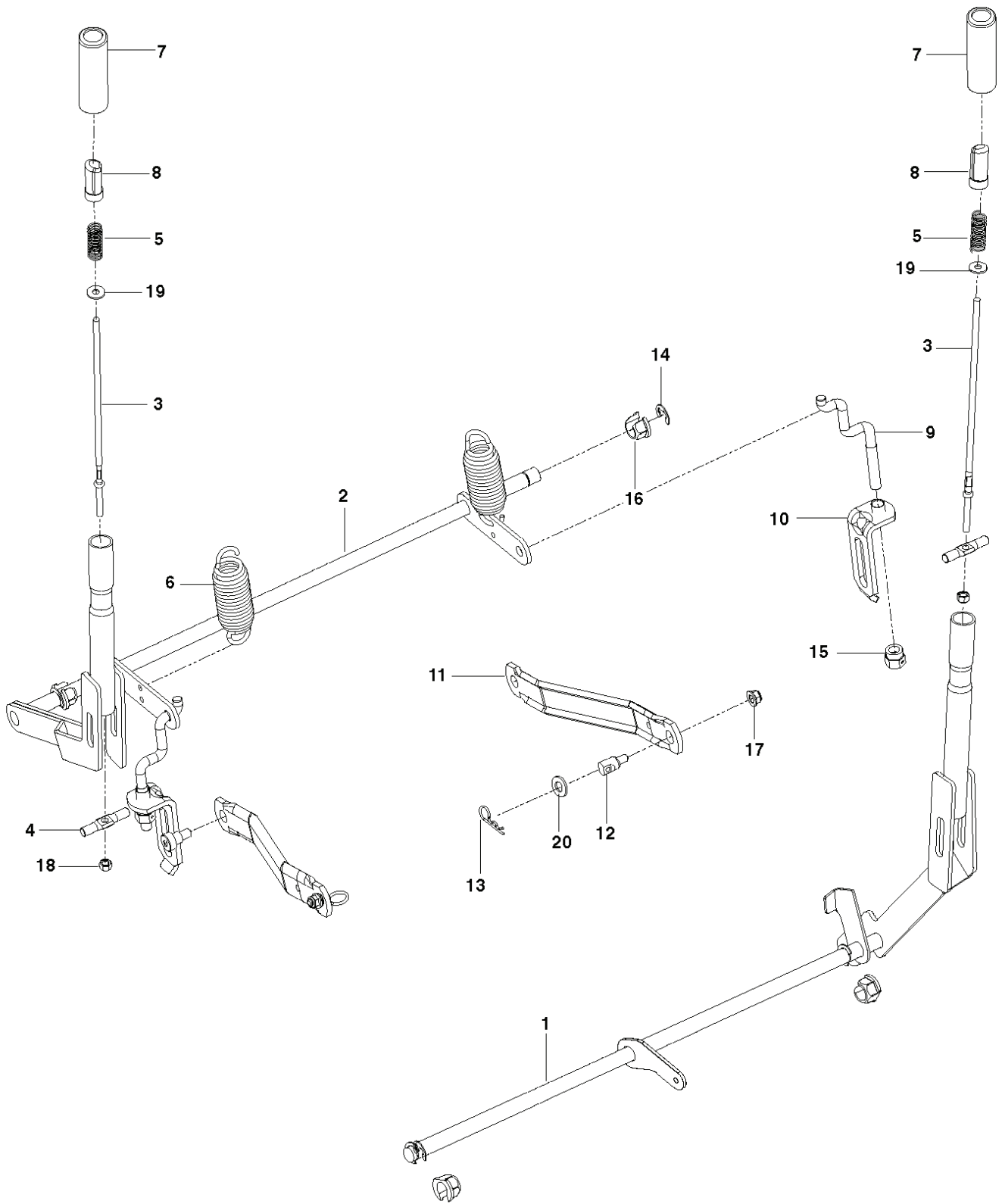
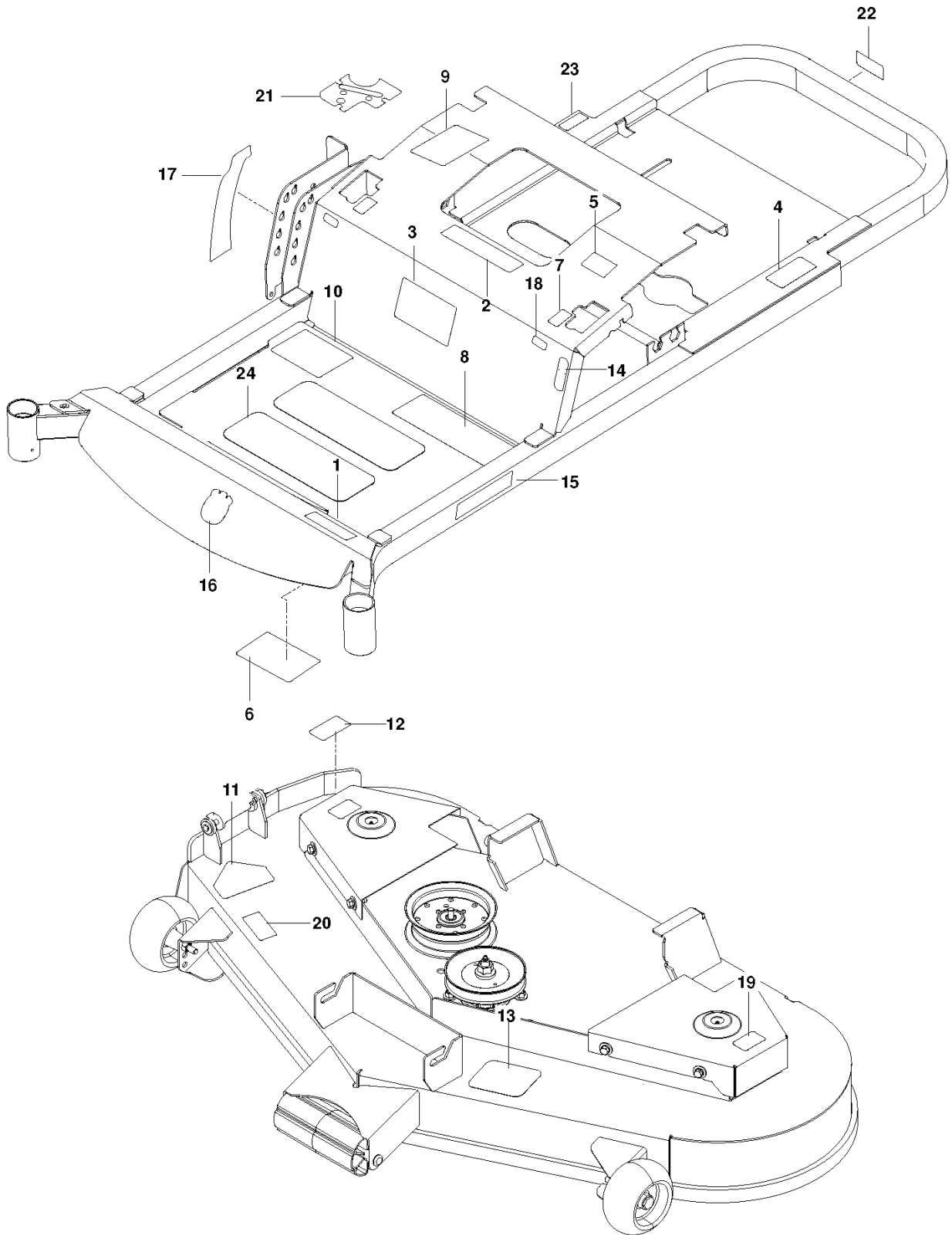


RZ 4824F CA, 967003802-03, 2014-06

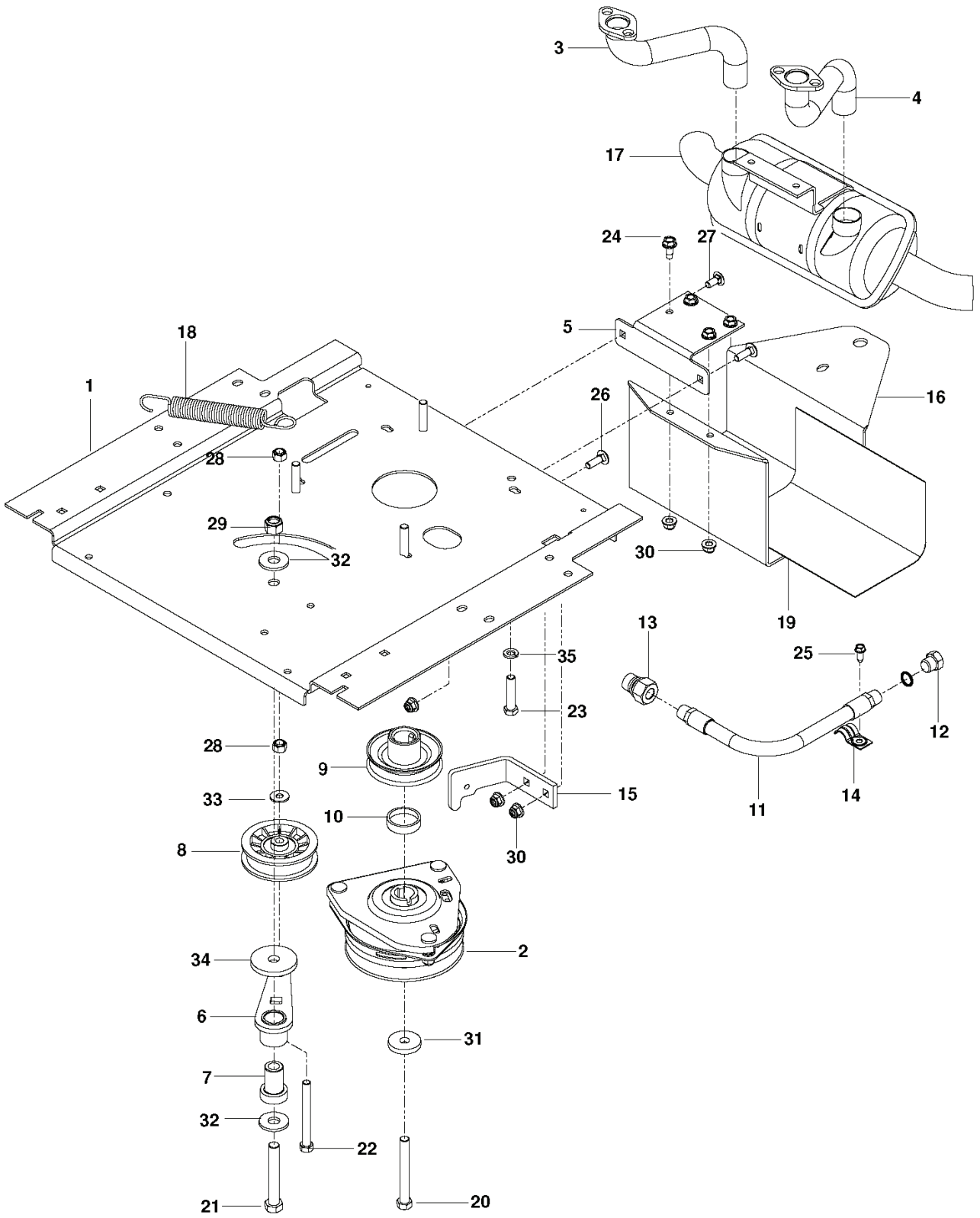
SPARE PARTS LIST



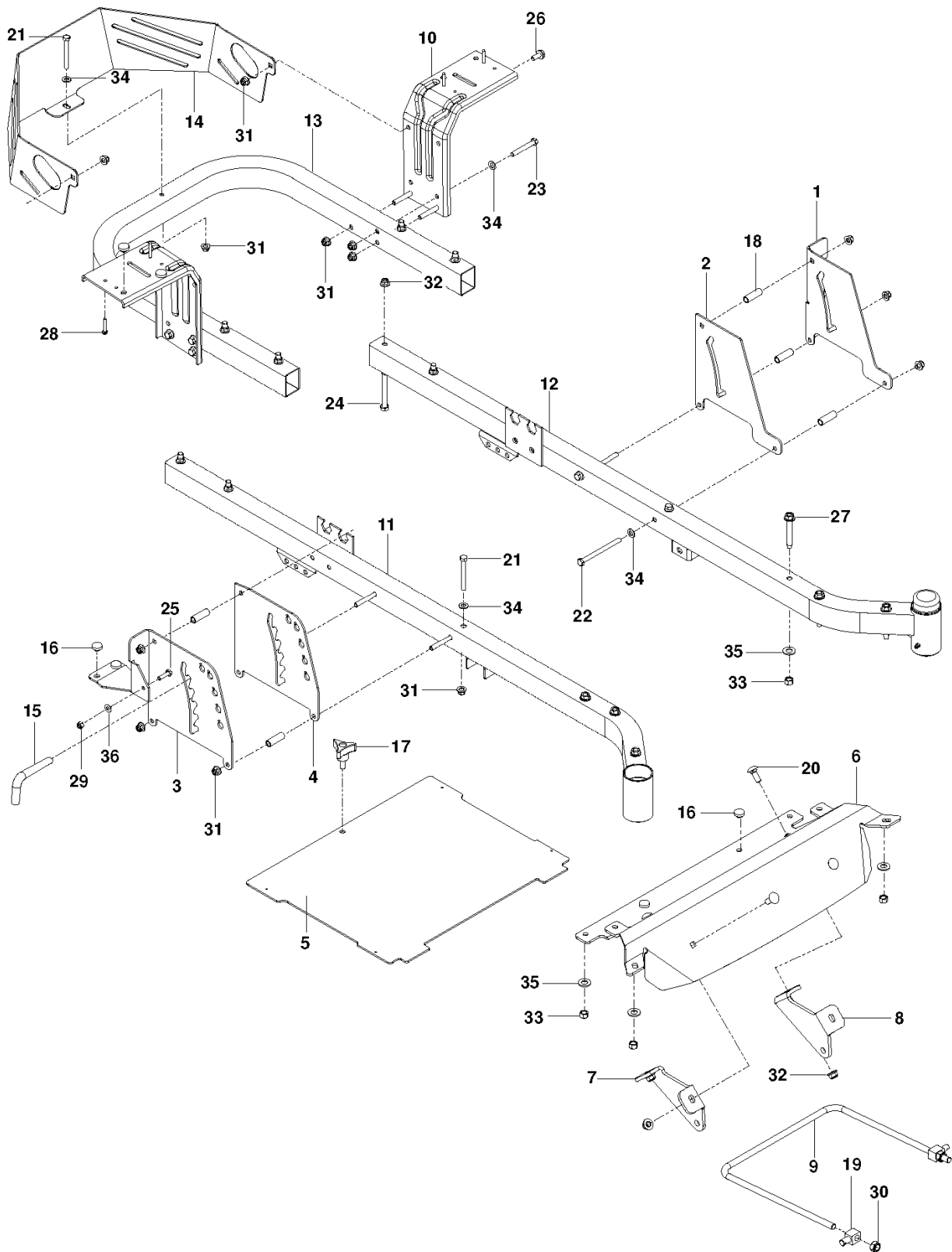
| REF. | PART NO. | DESCRIPTION | REMARK | QTY. | KIT |
|------|-----------|---------------------|-----------------------|------|-----|
| 1 | 580435801 | BRAKE LEVER ASSY | | 1 | |
| 2 | 586760202 | LEVER | | 1 | |
| 3 | 510422901 | ROD | | 2 | |
| 4 | 580960401 | ROD | | 2 | |
| 5 | 510030701 | SPRING | | 2 | |
| 6 | 539118762 | SPRING | QTY MAY VARY BY MODEL | 2 | |
| 7 | 510207201 | GRIP | | 2 | |
| 8 | 510207301 | BUTTON | | 2 | |
| 9 | 525847201 | LINK | | 2 | |
| 10 | 522858601 | ASSEMBLY | | 2 | |
| 11 | 532195185 | ARM | | 2 | |
| 12 | 532195161 | STUD | | 2 | |
| 13 | 539976989 | SPLIT PIN | | 2 | |
| 14 | 539105069 | RETAINER RING | | 3 | |
| 15 | 532175994 | NUT | | 2 | |
| 16 | 510184901 | BUSHING | | 4 | |
| 17 | 539112899 | NUT, 5/16-18, NYLOC | | 2 | |
| 18 | 539976978 | NUT | | 2 | |
| 19 | 819091216 | WASHER | | 1 | |
| 20 | 539976982 | WASHER | | 2 | |



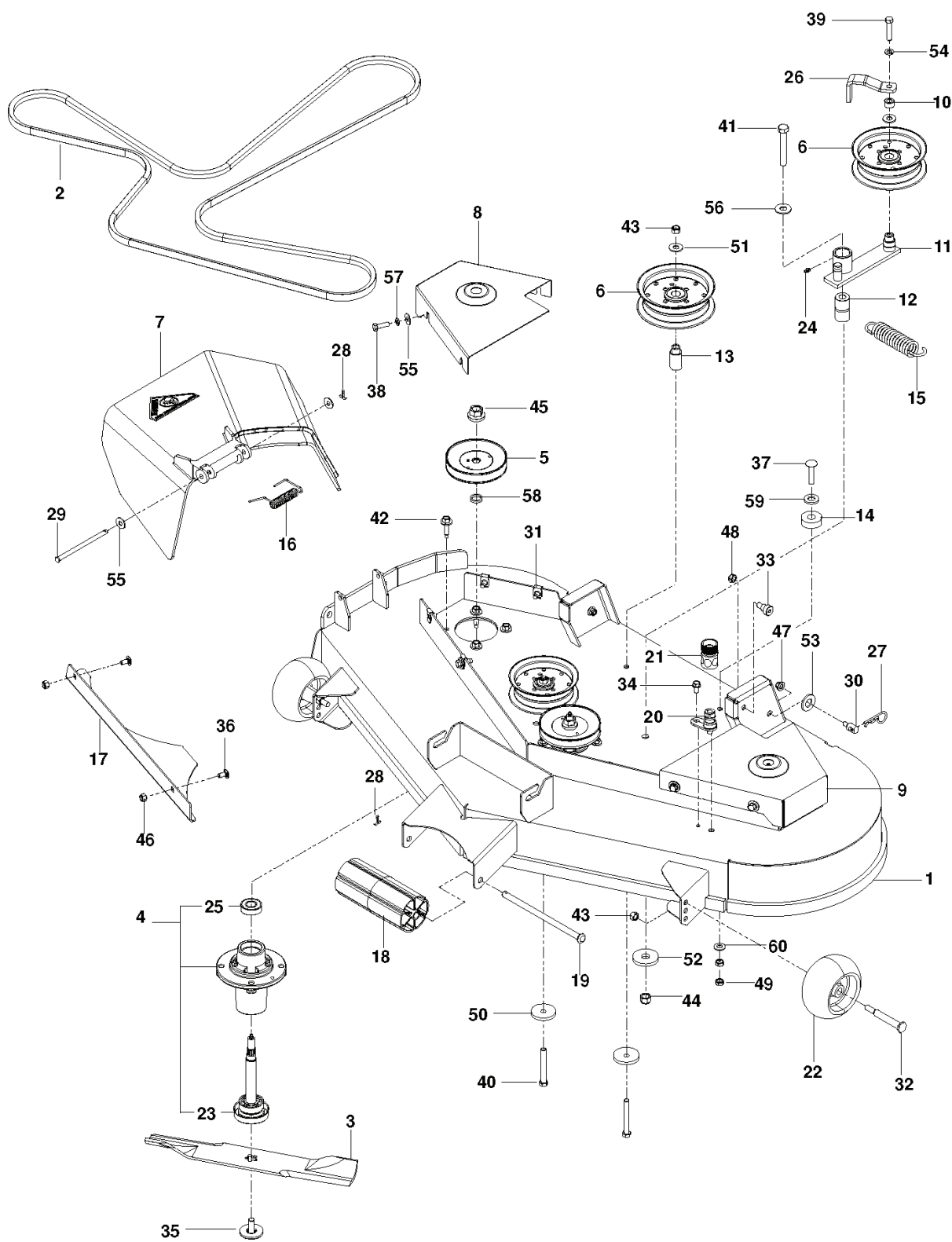
| REF. | PART NO. | DESCRIPTION | REMARK | QTY. | KIT |
|------|-----------|-------------|--------|------|-----|
| 1 | 521949323 | DECAL | | 1 | |
| 2 | 539105745 | DECAL | | 1 | |
| 3 | 539108179 | DECAL | | 1 | |
| 4 | 539108385 | DECAL | | 1 | |
| 5 | 539108386 | DECAL | | 1 | |
| 6 | 539109897 | DECAL | | 1 | |
| 7 | 539103333 | DECAL | | 2 | |
| 8 | 539109908 | DECAL | | 1 | |
| 9 | 539110522 | DECAL | | 1 | |
| 10 | 539113213 | DECAL | | 1 | |
| 11 | 539913010 | DECAL | | 1 | |
| 12 | 539113224 | DECAL | | 1 | |
| 13 | 539112620 | DECAL | | 1 | |
| 14 | 539120006 | DECAL | | 1 | |
| 15 | 532429196 | DECAL | | 2 | |
| 16 | 532428676 | DECAL | | 2 | |
| 17 | 576979101 | DECAL | | 1 | |
| 18 | 539110974 | DECAL | | 2 | |
| 19 | 539105743 | DECAL | | 2 | |
| 20 | 539105746 | DECAL | | 1 | |
| 21 | 576916702 | DECAL | | 1 | |
| 22 | 539101881 | DECAL | | 1 | |
| 23 | 532424102 | DECAL | | 1 | |
| 24 | 539977778 | MAT | | 3 | |



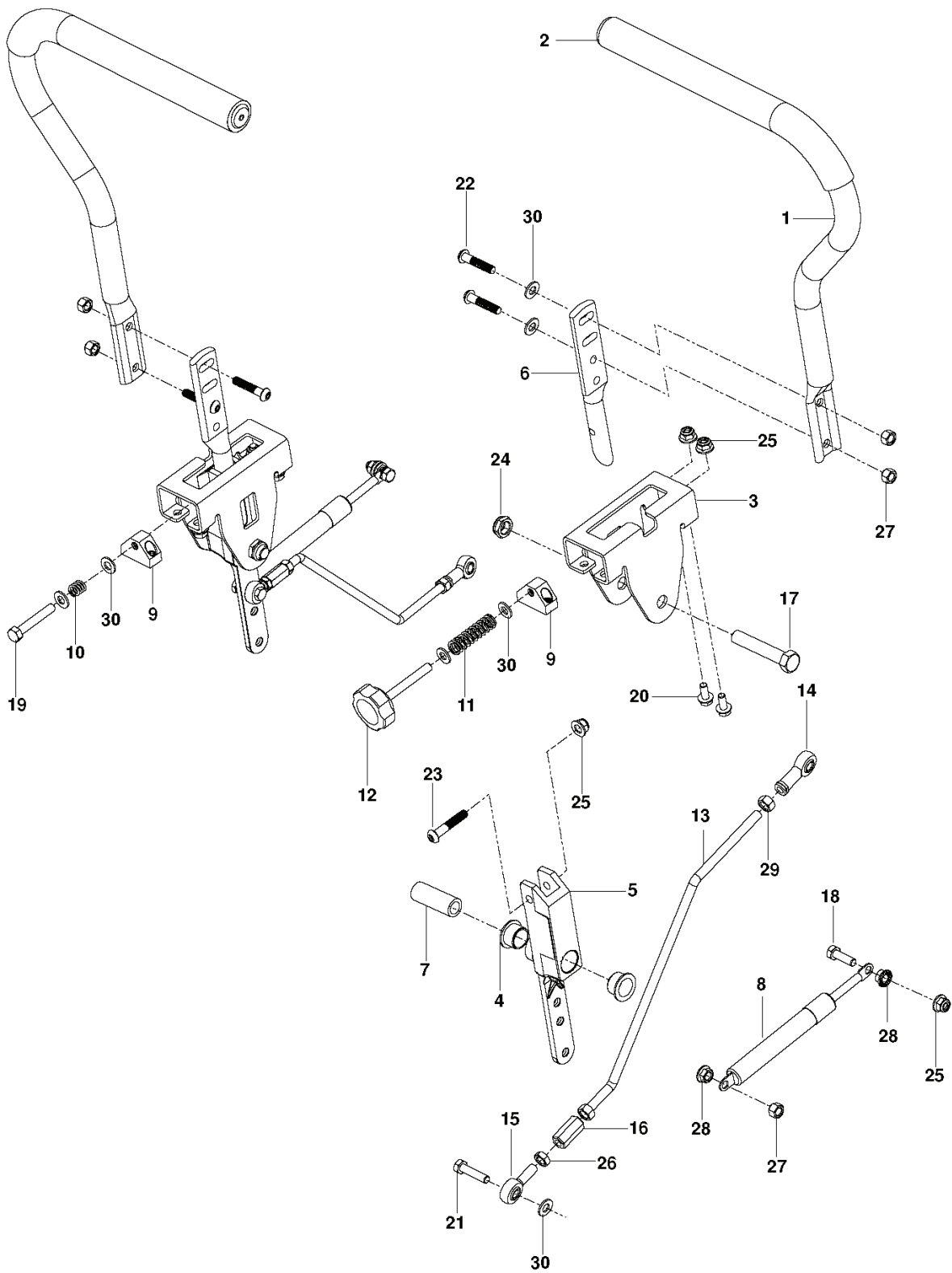
| REF. | PART NO. | DESCRIPTION | REMARK | QTY. | KIT |
|------|-----------|---------------------|-----------|------|-----|
| 1 | 532448161 | PLATE | | 1 | |
| 2 | 532400008 | CLUTCH | | 1 | |
| 3 | 581726501 | EXHAUST PIPE ASSY | | 1 | |
| 4 | 581726401 | EXHAUST PIPE ASSY | | 1 | |
| 5 | 510260402 | BRACKET | | 1 | |
| 6 | 532448145 | ARM | | 1 | |
| 7 | 539101231 | SPINDLE | | 1 | |
| 8 | 539110311 | PULLEY | | 1 | |
| 9 | 539114530 | PULLEY | | 1 | |
| 10 | 577094601 | SPACER | | 1 | |
| 11 | 584825501 | HOSE ASSY | | 1 | |
| 12 | 585807101 | PLUG | | 1 | |
| 13 | 522599001 | ADAPTER | | 1 | |
| 14 | 539101363 | CLAMP | | 1 | |
| 15 | 522442506 | STOP | | 1 | |
| 16 | 584989802 | GUARD | | 1 | |
| 17 | 581726301 | MUFFLER ASSY | | 1 | |
| 18 | 532196105 | SPRING | | 1 | |
| 19 | 539132859 | HEAT SHIELD | | 1 | |
| 20 | 581332803 | BOLT | | 1 | |
| 21 | 874780852 | BOLT | | 1 | |
| 22 | 874520656 | BOLT | | 1 | |
| 23 | 539976949 | BOLT | | 4 | |
| 24 | 817490512 | SCREW | | 4 | |
| 25 | 539990362 | SCREW | | 1 | |
| 26 | 872140508 | BOLT | | 2 | |
| 27 | 872140506 | BOLT | | 2 | |
| 28 | 539976979 | NUT | | 2 | |
| 29 | 873800800 | NUT | | 1 | |
| 30 | 539112899 | NUT, 5/16-18, NYLOC | | 5 | |
| 31 | 532126197 | WASHER | | 1 | |
| 32 | 819182212 | WASHER | | 2 | |
| 33 | 819121414 | WASHER | | 2 | |
| 34 | 539112670 | WASHER | | 1 | |
| 35 | 810030600 | WASHER | | 4 | |
| | 522598601 | PIGTAIL | NOT SHOWN | 1 | |



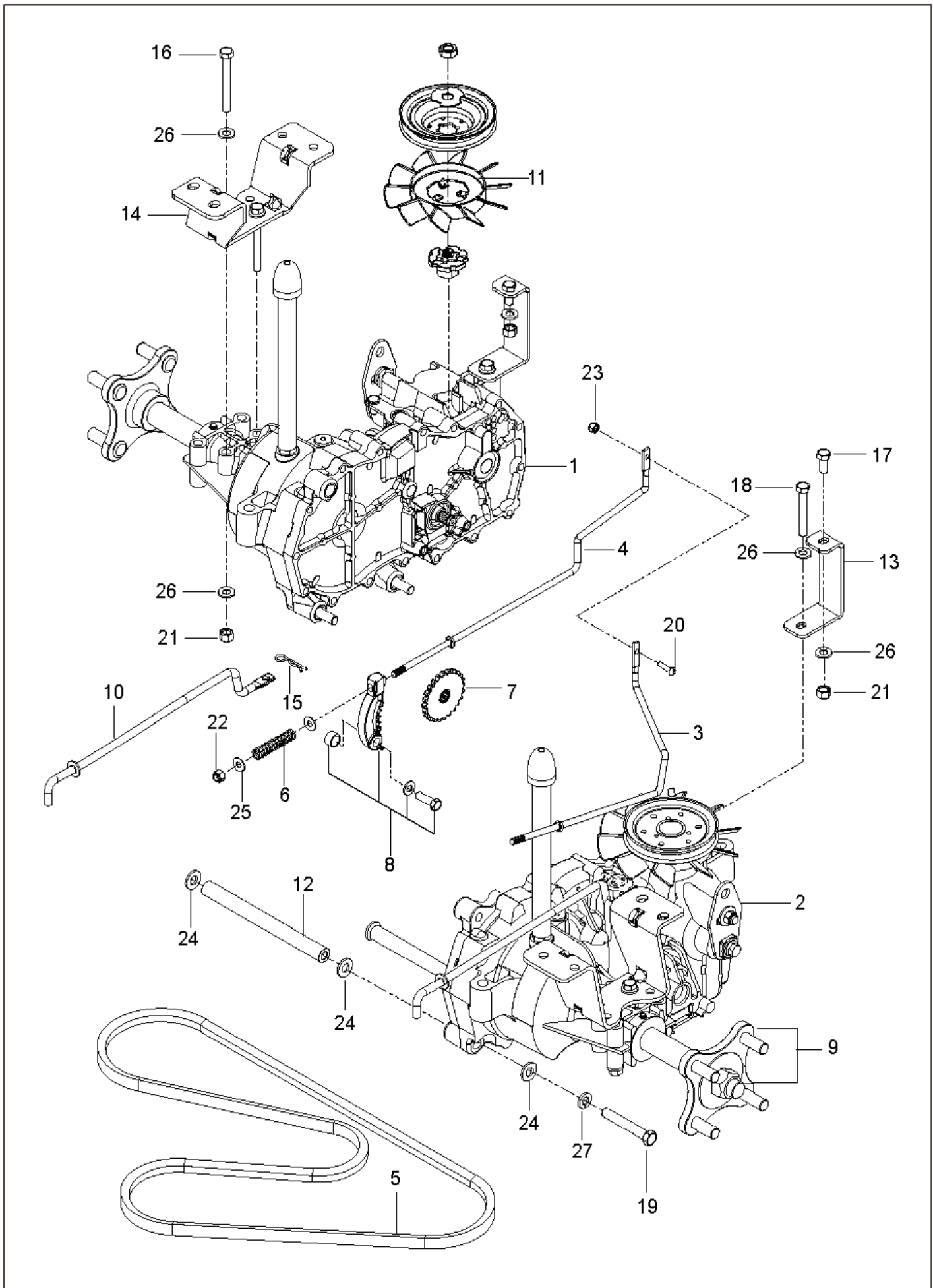
| REF. | PART NO. | DESCRIPTION | REMARK | QTY. | KIT |
|------|-----------|--------------------------------|--------|------|-----|
| 1 | 510261802 | PLATE | | 1 | |
| 2 | 510206703 | PLATE | | 1 | |
| 3 | 580528002 | PLATE | | 1 | |
| 4 | 510240502 | PLATE | | 1 | |
| 5 | 522842902 | PLATE | | 1 | |
| 6 | 522719504 | PLATE | | 1 | |
| 7 | 522443302 | MOUNT | | 1 | |
| 8 | 522443304 | MOUNT | | 1 | |
| 9 | 521938101 | LINK | | 1 | |
| 10 | 580501302 | BRACKET | | 2 | |
| 11 | 510177503 | FRAME | | 1 | |
| 12 | 510177403 | FRAME | | 1 | |
| 13 | 510177603 | FRAME | | 1 | |
| 14 | 522956705 | GUARD | | 1 | |
| 15 | 510016503 | PEN | | 1 | |
| 16 | 539102587 | ABSORBER | | 6 | |
| 17 | 539104411 | KNOB | | 1 | |
| 18 | 580486101 | SPACER | | 6 | |
| 19 | 539110674 | SCR #10-12X1-1/2HEX WASH HD ZD | | 3 | |
| 19 | 581514301 | SWIVEL | | 2 | |
| 20 | 872141608 | BOLT | | 4 | |
| 21 | 874780544 | BOLT | | 3 | |
| 22 | 874780564 | BOLT | | 4 | |
| 23 | 874780536 | BOLT | | 6 | |
| 24 | 874780648 | BOLT | | 8 | |
| 25 | 874780416 | BOLT | | 2 | |
| 26 | 874490512 | BOLT | | 2 | |
| 27 | 874490644 | BOLT | | 6 | |
| 28 | 539110674 | SCR #10-12X1-1/2HEX WASH HD ZD | | 4 | |
| 29 | 873800400 | NUT | | 2 | |
| 30 | 539119124 | NUT | | 2 | |
| 31 | 539112899 | NUT, 5/16-18, NYLOC | | 17 | |
| 32 | 521996501 | NUT | | 12 | |
| 33 | 539200282 | NUT | | 6 | |
| 34 | 819111116 | WASHER | | 13 | |
| 35 | 819141614 | WASHER | | 6 | |
| 36 | 819091016 | WASHER | | 2 | |



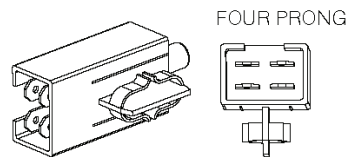
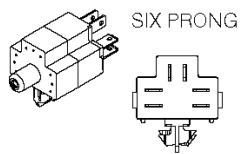
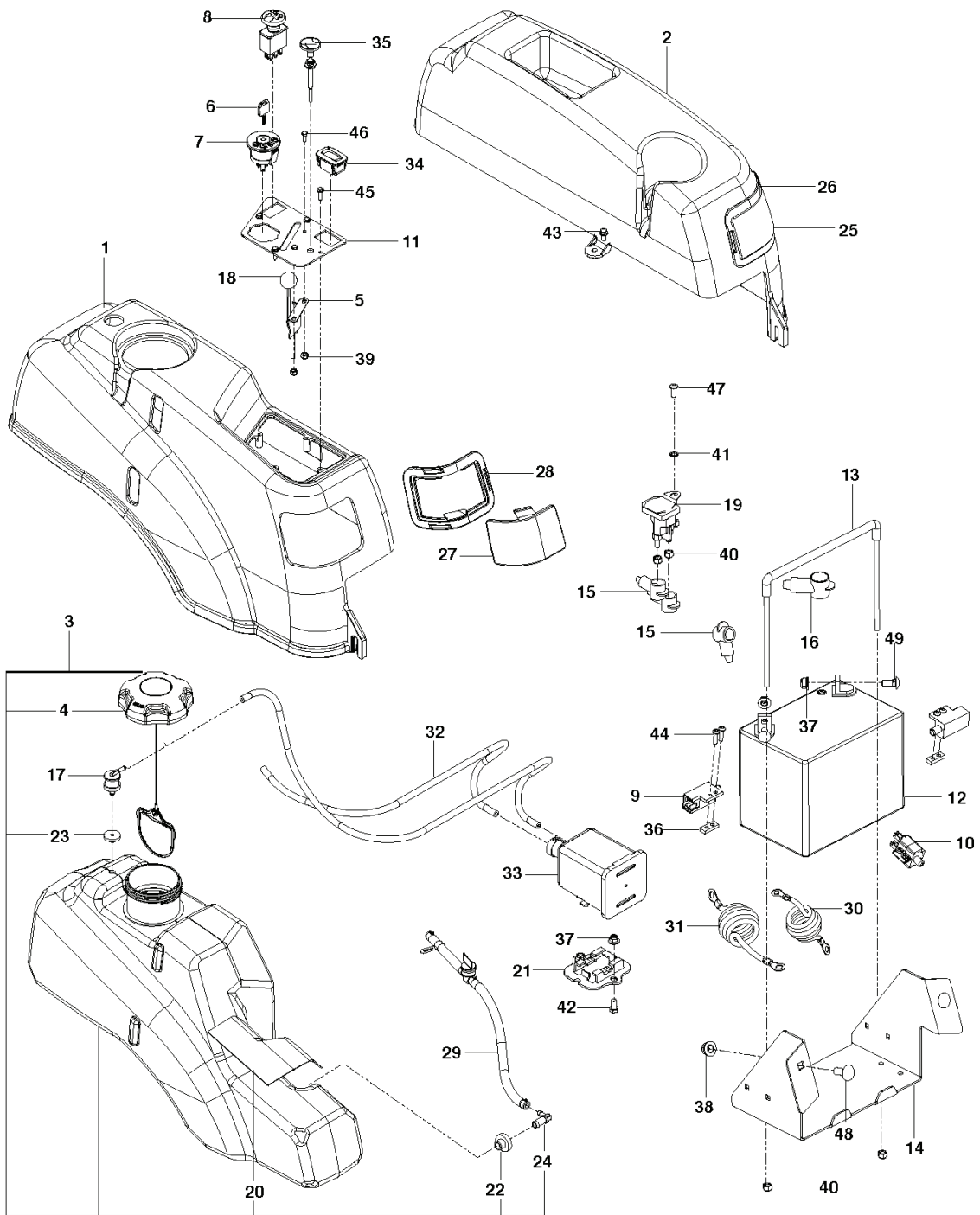
| REF. | PART NO. | DESCRIPTION | REMARK | QTY. | KIT |
|------|-----------|----------------------------|----------------|------|-----|
| 1 | 522534805 | DECK | W/ SFTY DECALS | 1 | |
| 2 | 539109243 | BELT | | 1 | |
| 3 | 539113425 | RIDE ON BLADE | | 3 | |
| 4 | 539112170 | HOUSING ASSY | | 3 | |
| 5 | 532112171 | PULLEY | | 3 | |
| 6 | 539132728 | PULLEY | | 3 | |
| 7 | 539110732 | DEFLECTOR | | 1 | |
| 8 | 539113411 | SHIELD | | 1 | |
| 9 | 539113413 | SHIELD | | 1 | |
| 10 | 539923515 | SPACER | | 1 | |
| 11 | 539112198 | ARM | | 1 | |
| 12 | 539103427 | BUSHING | | 1 | |
| 13 | 539112169 | BUSHING | | 2 | |
| 14 | 539116378 | BUSHING | | 1 | |
| 15 | 539103256 | SPRING | | 1 | |
| 16 | 539110735 | SPRING | | 1 | |
| 17 | 539113427 | PLATE | | 1 | |
| 18 | 532176066 | ROLLER | | 1 | |
| 19 | 532179127 | ROD ROLLER NOSE | | 1 | |
| 20 | 532415598 | HOSE COUPLING | | 1 | |
| 21 | 532416405 | COUPLING | | 1 | |
| 22 | 539107610 | WHEEL | | 2 | |
| 23 | 539112056 | GREASABLE MANDREL SHAFT | | 3 | |
| 24 | 539976998 | NIPPLE | | 1 | |
| 25 | 539112050 | BALL BEARING | | 3 | |
| 26 | 539114981 | GUIDE | | 1 | |
| 27 | 539976989 | SPLIT PIN | | 4 | |
| 28 | 539990365 | PIN RETAINING SCREW | | 2 | |
| 29 | 539110736 | CLEVIS PIN | | 1 | |
| 30 | 532195161 | STUD | | 2 | |
| 31 | 539104763 | CLIP | | 8 | |
| 32 | 532137644 | SCREW | | 2 | |
| 33 | 539113621 | SB 3/8-16 X 3/8 SKT HD ZD | | 2 | |
| 34 | 539108461 | SCREW | | 1 | |
| 35 | 532193003 | SCREW | | 3 | |
| 36 | 539990799 | BOLT | | 2 | |
| 37 | 539990923 | RHSNB 3/8-16X1-3/4 GR 5 ZD | | 1 | |
| 38 | 874780516 | BOLT | | 8 | |
| 39 | 539990730 | SCREW | | 1 | |
| 40 | 874780648 | BOLT | | 2 | |
| 41 | 874780852 | BOLT | | 1 | |
| 42 | 539107630 | SCREW | | 12 | |
| 43 | 873800600 | NUT | | 4 | |
| 44 | 873800800 | NUT | | 1 | |
| 45 | 539107590 | NUT | | 3 | |
| 46 | 873800500 | LOCK NUT | | 2 | |
| 47 | 539112899 | NUT, 5/16-18, NYLOC | | 2 | |
| 48 | 539200282 | NUT | | 2 | |
| 49 | 539109332 | NUT | | 2 | |
| 50 | 539106504 | WASHER | | 2 | |
| 51 | 819141614 | WASHER | | 3 | |
| 52 | 539102243 | WASHER | | 1 | |
| 53 | 819212113 | WASHER | | 2 | |
| 54 | 810030600 | WASHER | | 1 | |
| 55 | 819121414 | WASHER | | 10 | |
| 56 | 539990550 | WASHER | | 1 | |
| 57 | 539990187 | WASHER | | 8 | |
| 58 | 539107520 | WASHER | | 3 | |
| 59 | 539990250 | WASHER | | 1 | |
| 60 | 819131316 | WASHER | | 1 | |



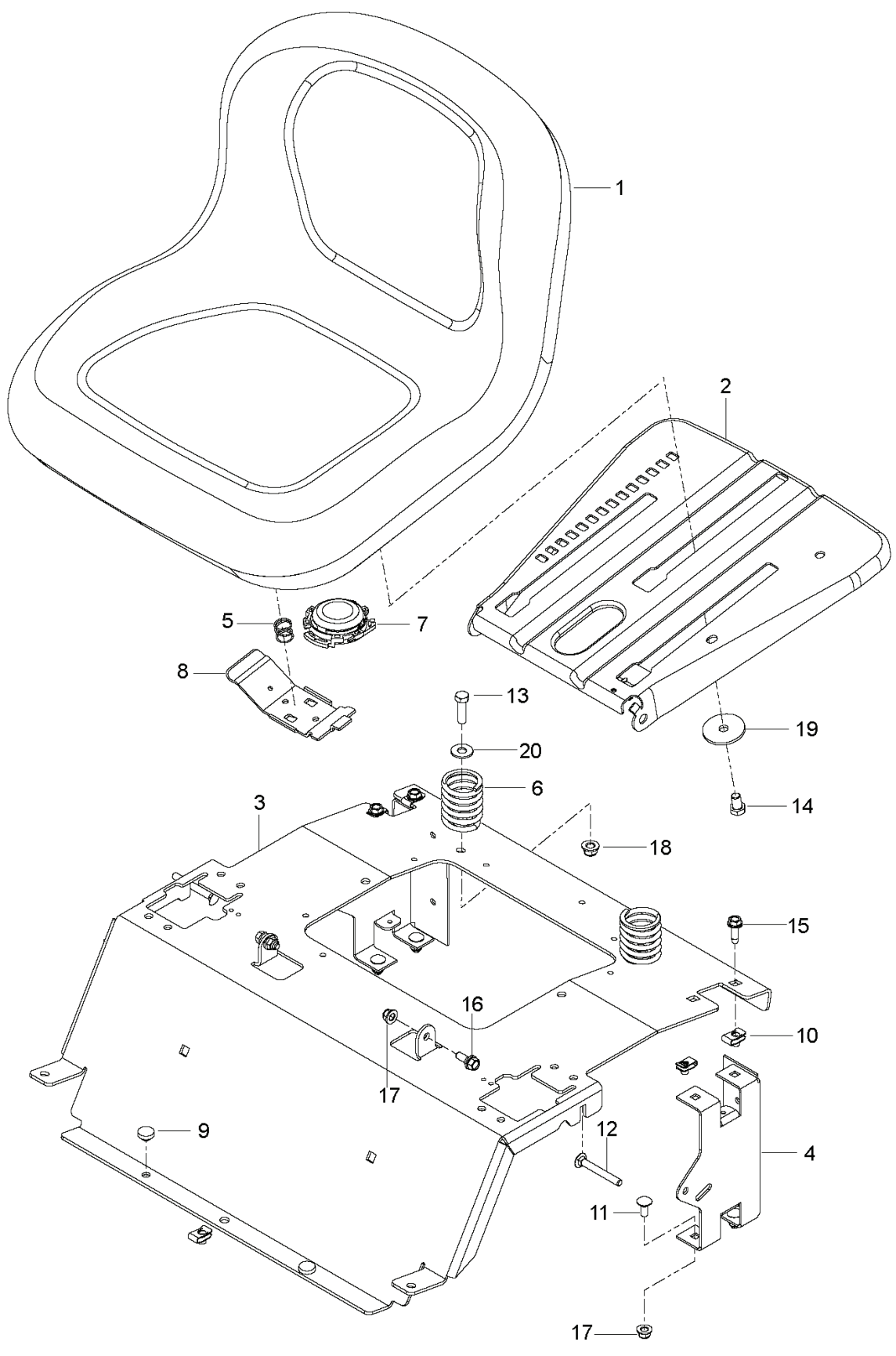
| REF. | PART NO. | DESCRIPTION | REMARK | QTY. | KIT |
|------|-----------|---------------------|--------|------|-----|
| 1 | 581826703 | LEVER | | 2 | |
| 2 | 525392901 | GRIP | | 2 | |
| 3 | 586737202 | BRACKET | | 2 | |
| 4 | 539131518 | BEARING | | 4 | |
| 5 | 576140301 | LEVER | | 2 | |
| 6 | 577420001 | LEVER | | 2 | |
| 7 | 577252401 | SPACER | | 2 | |
| 8 | 539102720 | GAS SPRING | | 2 | |
| 9 | 581437501 | BLOCK | | 2 | |
| 10 | 539102845 | SPRING | | 1 | |
| 11 | 576850301 | SPRING | | 1 | |
| 12 | 539131799 | KNOB | | 1 | |
| 13 | 580624201 | ROD | | 2 | |
| 14 | 539115729 | RH ROD END | | 2 | |
| 15 | 539116690 | ROD END - LH | | 2 | |
| 16 | 539116689 | ROD END COUPLER | | 2 | |
| 17 | 874780844 | BOLT | | 4 | |
| 18 | 874780516 | BOLT | | 2 | |
| 19 | 874780524 | BOLT | | 1 | |
| 20 | 874490512 | BOLT | | 8 | |
| 21 | 874780528 | BOLT | | 2 | |
| 22 | 578296402 | SCREW | | 4 | |
| 23 | 576850402 | SCREW | | 2 | |
| 24 | 539108010 | NUT | | 2 | |
| 25 | 539112899 | NUT, 5/16-18, NYLOC | | 10 | |
| 26 | 539991073 | NUT | | 2 | |
| 27 | 873800500 | LOCK NUT | | 6 | |
| 28 | 539990585 | NUT | | 4 | |
| 29 | 539990223 | NUT | | 4 | |
| 30 | 819111116 | WASHER | | 11 | |



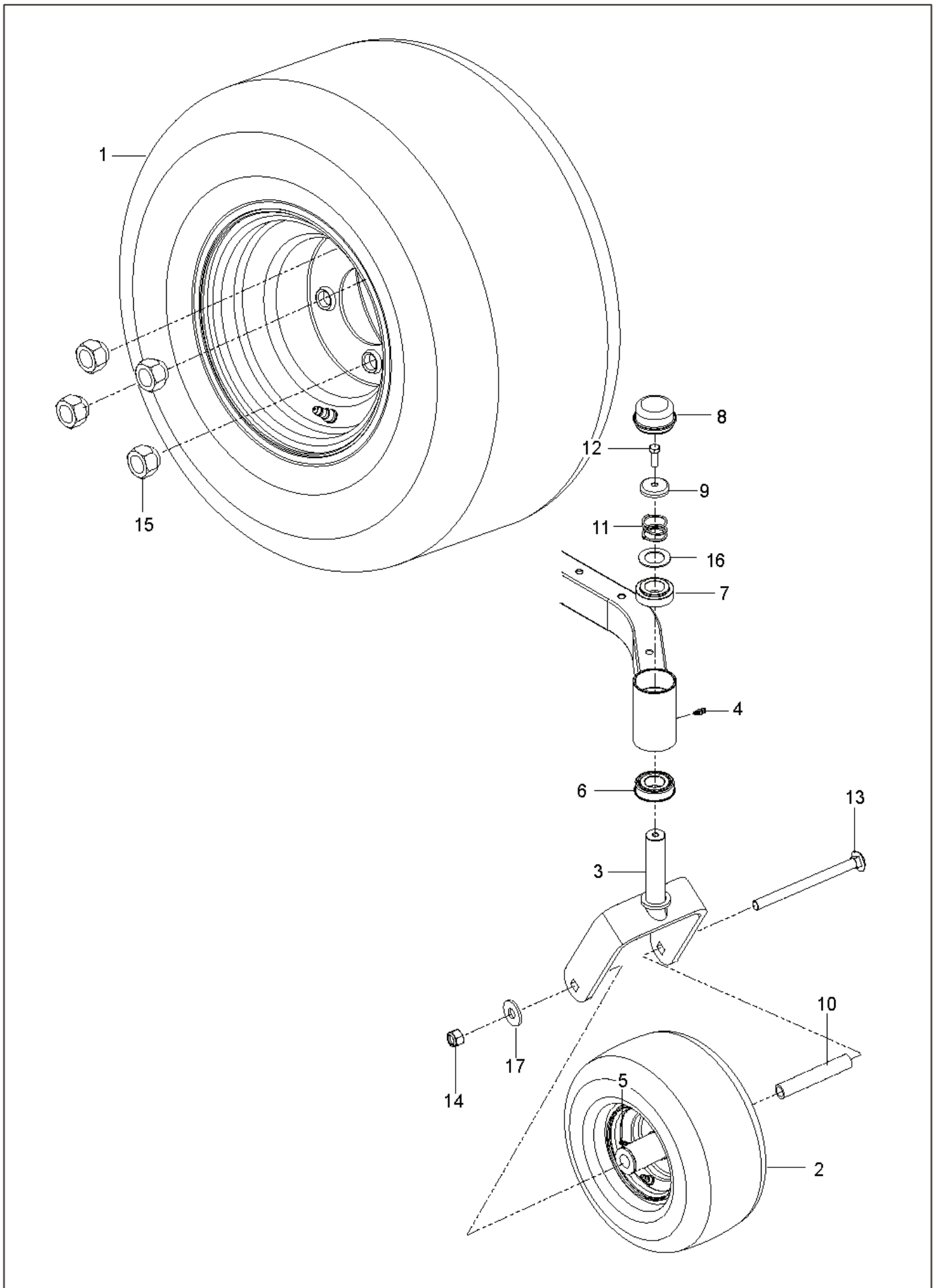
| REF. | PART NO. | DESCRIPTION | REMARK | QTY. | KIT |
|------|-----------|--------------|--------|------|-----|
| 1 | 510375601 | TRANSMISSION | | 1 | |
| 2 | 510375602 | TRANSMISSION | | 1 | |
| 3 | 574030501 | LINKAGE | | 1 | |
| 4 | 574030502 | LINKAGE | | 1 | |
| 5 | 539110411 | BELT | | 1 | |
| 6 | 539110342 | SPRING | | 2 | |
| 7 | 539120080 | DISC | | 2 | |
| 8 | 539120079 | ARM | | 2 | |
| 9 | 575507001 | KIT | | 1 | |
| 10 | 522941101 | LINKAGE | | 2 | |
| 11 | 539120785 | HYDRO FAN | | 2 | |
| 12 | 510184101 | SPACING TUBE | | 2 | |
| 13 | 580806502 | SUPPORT | | 2 | |
| 14 | 580806602 | BRACKET | | 2 | |
| 15 | 539976988 | PIN | | 2 | |
| 16 | 874780544 | BOLT | | 4 | |
| 17 | 539976934 | SCREW | | 2 | |
| 18 | 874780536 | BOLT | | 2 | |
| 19 | 539990637 | SCREW | | 4 | |
| 20 | 539108535 | SCREW | | 1 | |
| 21 | 873800500 | LOCK NUT | | 8 | |
| 22 | 539976978 | NUT | | 2 | |
| 23 | 539976977 | NUT | | 1 | |
| 24 | 819131316 | WASHER | | 8 | |
| 25 | 819091016 | WASHER | | 4 | |
| 26 | 819111116 | WASHER | | 14 | |
| 27 | 810030600 | WASHER | | 4 | |



| REF. | PART NO. | DESCRIPTION | REMARK | QTY. | KIT |
|------|-----------|--------------------------------|--------------------------|------|-----|
| 1 | 578178901 | FENDER | | 1 | |
| 2 | 539130374 | FENDER | | 1 | |
| 3 | 578180601 | FUEL TANK ASSY | | 1 | |
| 4 | 575018101 | CAP | | 1 | |
| 5 | 539112734 | THROTTLE CABLE | | 1 | |
| 6 | 532140401 | KEY | | 1 | |
| 7 | 539107541 | IGNITION SWITCH | | 1 | |
| 8 | 532174652 | BRAKER | | 1 | |
| 9 | 532109553 | SWITCH | | 2 | |
| 10 | 539113792 | SWITCH | SIX PRONG | 1 | |
| | 532197802 | SWITCH | FOUR PRONG | 1 | |
| 11 | 584254602 | CONTROL PLATE | | 1 | |
| 12 | 539102436 | BATTERY | | 1 | |
| 13 | 539131209 | BATTERY TIE DOWN ASSEMBLY | | 1 | |
| 14 | 510231302 | BOX | | 1 | |
| 15 | 539116400 | TERMINAL COVER-SM | | 3 | |
| 16 | 539102759 | INSULATOR | | 1 | |
| 17 | 576618101 | TANK VENT | | 1 | |
| 18 | 539916325 | VALVE | | 1 | |
| 18 | 539133049 | KNOB ROUND BALL | | 1 | |
| 19 | 532192507 | SOLENOID | | 1 | |
| 20 | 522559101 | SHIELD | | 1 | |
| 21 | 575242701 | BRACKET | | 1 | |
| 22 | 539105245 | GROMMET | | 1 | |
| 23 | 576618201 | GROMMET | | 1 | |
| 24 | 539110432 | STEM, FUEL TANK | | 1 | |
| 25 | 539110056 | LENS, COLORED LEFT | | 1 | |
| 26 | 539110455 | HEADLIGHT | | 1 | |
| 27 | 539110057 | LENS, COLORED RIGHT | | 1 | |
| 28 | 539110451 | HEADLIGHT | | 1 | |
| 29 | 576660702 | SERVICE KIT | | 1 | |
| 30 | 539103306 | CABLE | | 2 | |
| 31 | 539110068 | BATTERY CABLE, NEGATIVE | | 1 | |
| 32 | 575437802 | HOSE | | 2 | |
| 33 | 539990053 | WASHER | | 2 | |
| 34 | 586161801 | HOUR METER | | 1 | |
| 35 | 539112439 | CHOKE CONTROL | | 1 | |
| 36 | 539102678 | PLATE | | 2 | |
| 37 | 539112899 | NUT, 5/16-18, NYLOC | | 2 | |
| 38 | 521996501 | NUT | | 2 | |
| 39 | 539976977 | NUT | | 2 | |
| 40 | 873800400 | NUT | | 5 | |
| 41 | 539990053 | WASHER | | 1 | |
| 42 | 539108392 | HCS 5/16-18 X 5/8 GR 5 ZD | | 2 | |
| 43 | 817490408 | SCREW | | 2 | |
| 44 | 574822701 | SCREW | | 2 | |
| 45 | 539110673 | SCREW | | 4 | |
| 46 | 539990411 | SCREW | | 2 | |
| 47 | 539111229 | SCR 1/4-20 X 5/8 BTN SKT HD ZD | | 2 | |
| 48 | 872140608 | BOLT | | 2 | |
| 49 | 872140506 | BOLT | | 2 | |
| | 586352601 | HARNESS | KIT - HARNESS AND SWITCH | 1 | |
| | 585727701 | HARNESS | W/ 4 PRONG SWITCH | 1 | |



| REF. | PART NO. | DESCRIPTION | REMARK | QTY. | KIT |
|------|-----------|---------------------|--------|------|-----|
| 1 | 532439822 | SEAT | | 1 | |
| 2 | 532196977 | PLATE | | 1 | |
| 3 | 577260503 | SUPPORT | | 1 | |
| 4 | 580308202 | SUPPORT | | 2 | |
| 5 | 532198200 | SPRING | | 1 | |
| 6 | 587613301 | SPRING | | 2 | |
| 7 | 539132140 | SWITCH | | 1 | |
| 8 | 532197661 | HANDLE | | 1 | |
| 9 | 539102587 | ABSORBER | | 2 | |
| 10 | 539104763 | CLIP | | 5 | |
| 11 | 872140506 | BOLT | | 4 | |
| 12 | 510422701 | SCREW | | 2 | |
| 13 | 874780620 | BOLT | | 2 | |
| 14 | 539108503 | BOLT | | 1 | |
| 15 | 817490512 | SCREW | | 4 | |
| 16 | 539110303 | BOLT | | 2 | |
| 17 | 539112899 | NUT, 5/16-18, NYLOC | | 6 | |
| 18 | 521996501 | NUT | | 2 | |
| 19 | 539111897 | WASHER | | 1 | |
| 20 | 819141614 | WASHER | | 2 | |



| REF. | PART NO. | DESCRIPTION | REMARK | QTY. | KIT |
|------|-----------|-------------|---|------|-----|
| 1 | 590486601 | WHEEL | | 2 | |
| 2 | 576588602 | WHEEL ASSY | | 2 | |
| 3 | 586650302 | YOKE | | 2 | |
| 4 | 539115638 | FITTING | | 2 | |
| 5 | 539103300 | NIPPLE | | 2 | |
| 6 | 539112660 | BEARING | | 2 | |
| 7 | 539117901 | BUSHING | | 2 | |
| 8 | 539102535 | CAP | | 2 | |
| 9 | 539115749 | CASTER PLUG | | 2 | |
| 10 | 576588901 | SPACER | | 2 | |
| 11 | 539115747 | SPRING | | 2 | |
| 12 | 874950516 | SCREW | | 2 | |
| 13 | 576601501 | SCREW | | 2 | |
| 14 | 873930800 | NUT | Nut 1/2-13 Hex Center Lock (595316501) | 2 | |
| 15 | 587653902 | NUT | | 8 | |
| 16 | 539115675 | WASHER | | 2 | |
| 17 | 819182212 | WASHER | | 2 | |